

XF 30 Amp Fusible



40 Amp Non Fused in Non-Metallic Enclosure



100 Amp Non-Fused

## Load Break Disconnect Switches

30 - 100 Amp  
Non-Fusible • Fusible • Panel Mount • Door Mount

### Table of Contents

---

General Information and Features .....	116
Disconnect Switches - Open .....	117
Ratings .....	117
Handle Assemblies .....	118
Disconnect Switches in Enclosures .....	119
Accessories .....	120
Class CC Fuses .....	121
Class CC Fuse Blocks .....	121
Dimensions .....	122



## Non-Fusible: 30 • 40 • 60 • 63 • 80 • 100 Amp / Fusible: 30 Amp

The Advance Controls, Inc. Type XF, XA, XB and KZ Fusible and Non-Fusible Disconnect Switches are UL Listed under UL508 to disconnect the power source (single or three phase) from a control panel or any other application where the line power is required to be turned "Off". Example: Load or motor disconnect switches, safety switches for air conditioners, pumps, compressors, main switches, distribution switches, lighting panels, etc.

These switches are not for Service Entrance.

This patented, modern and compact switch design utilizes state of the art technology to minimize panel space and maximize switch capability. The unique patented **XF Fusible Disconnect Switch** incorporates an integral enclosed fuseholder within the body of the switch, eliminating the need for a separate fuseblock. The enclosed fuseholder design minimizes the risk to the operator in case of accidental contact with live parts. The fuseholder accepts Class CC rejection type fuses and is totally finger safe.

A wide range of operators are available. All operators are rated Type 4 (IP65). The lockable handle assembly meets the requirements of OSHA Standard 1910.147 (Lockout) for control of hazardous energy sources. The **ACI Fusible and Non-Fusible Switches** are UL listed and CSA Certified and conform to IEC 408; CEI 17-11; CEE 24; VDE 0660T107; and BS 5419 and CE.

Add-on power poles are available (see accessories).

Two additional 30 Amp power poles may be added to the XA, XB and one additional power pole can be added to the XF switch. This accessory makes the XA and XB switch available with 5 or 6 power poles and the XF switch available with 3 fused power poles and up to 2 non-fused power poles.

## Features

### Non-fused and Fused Switch

- 3 Power Poles for the 63 - 80 -100 Amp XA Type
- 4 Power Poles for the 30 Amp KZ, 40 Amp XA, and 60 Amp XB Types
- Panel and / or DIN Rail mount
- Easily accessible, finger safe, oversized box terminals with combination screw heads. Furnished open, ready to wire
- Oversized Terminals
- Auxiliary Contact Block - 1 NO and 1 NC available
- Add-on Non-fused power poles available
- Compact space saving design
- Straight line wiring
- Double break contacts (Ag Ni) with positive contact movement during switching
- Standard shafts available for 3.5" through 20" deep enclosure
- Operator handle Type 4X or Type 12

### No Shaft Sag

- KZ, XA32, XB63, XF - Shaft goes completely through the Switch to provide maximum shaft rigidity (no shaft sag)
- XA063, XA080, XA100 - Shaft inserts 29 mm (1.14 in) into the switch providing maximum shaft rigidity (no shaft sag)

### XF Type / Fused Switch only

- Unique *patented* Fuse Holder is completely enclosed within the switch body for operator safety

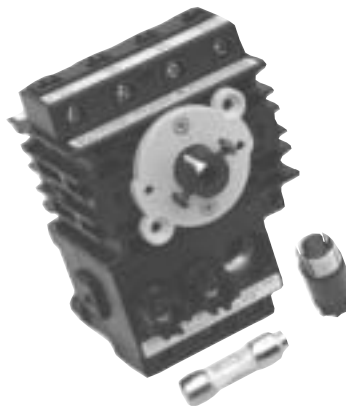
- 4 Power poles - 3 Fused and 1 Non-Fused
- Fuse retained by removable, insulated safety cap
- Accepts 30 Amp (max) Class CC fuse

### Door Mount Style

- Switch mounts to the inside of the enclosure door. The handle assembly mounts on the face of the door. This saves panel space by removing the disconnect switch from the panel and placing the switch on the door.  
(Does not provide door interlock)

### Backpanel Mount Style

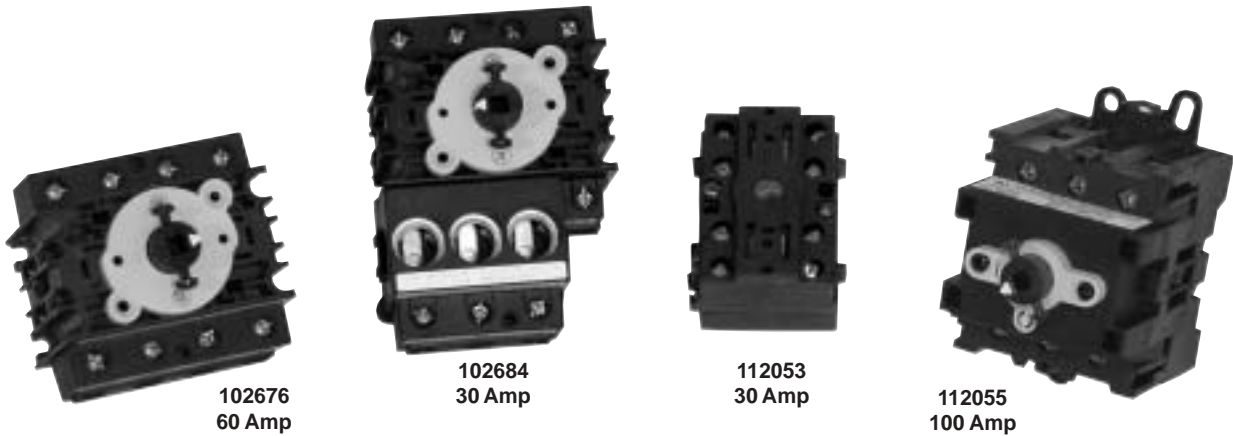
- Switch mounts on the back panel. The handle assembly mounts on face of door. Switch connects to the handle with an adjustable length shaft. Provides door interlock. Door opens only in the "Off" position. KZ is DIN Rail mount only.



Type XF, XA, XB KZ  
UL Listed (508)

- Motor Disconnect Switch
- Manual Motor Controller

Non-Fusible: 30 • 40 • 60 • 63 • 80 • 100 Amp / Fusible: 30 Amp



**Non-Fused Switch**

Amp RATING (UL 508)	TYPE	POWER POLES	WT Lbs	BACKPANEL MOUNT SWITCHES	
				CATALOG NUMBER	LIST PRICE
30	KZ40	4	0.2	112053 *	\$42
40	XA324	4	0.5	102674	\$48
60	XB634	4	0.5	102676	\$56
63	XA0633	3	0.6	112030	\$79
80	XA0803	3	0.6	112054	\$108
100	XA1003	3	0.6	112055	\$120

DOOR MOUNT STYLE	
CATALOG NUMBER	LIST PRICE
112056	\$42
112057	\$48
111612	\$56
N/A	-
N/A	-
N/A	-

\* DIN Rail mount only

**Fused Switch**

Amp RATING (UL 508)	TYPE	POWER POLES	WT Lbs	BACKPANEL MOUNT SWITCHES	
				CATALOG NUMBER	LIST PRICE
30	XF304	3 FUSED + 1 NON-FUSED	0.7	102684	\$75.00

- UL508 Listed
- Motor Disconnect Switch
- Manual Motor Controller

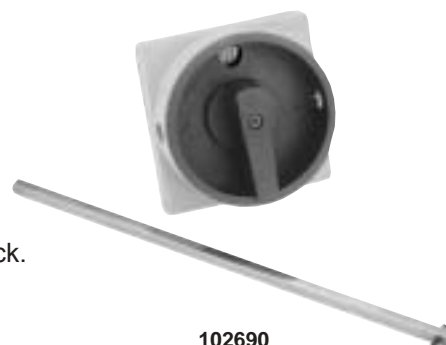
Amp RATING (UL 508)	CATALOG NUMBER	MAXIMUM HORSEPOWER						WIRE RANGE (AWG)	SCREW TORQUE (In/Lbs)	UL US UL FILE	CSA FILE	CE
		1-PHASE		3-PHASE								
		120	230	200	230	460	575					
30	112053	2	3	7.5	7.5	10	10	16 - 8	16	E101686	-	YES
30	112056	2	3	7.5	7.5	10	10	16 - 8	16	E101686	-	YES
30*	102684*	2	3	7.5	7.5	15	20	16 - 8	16	E147813	LR39540	YES
40	102674	3	5	10	10	15	15	16 - 8	16	E101686	LR39540	YES
40	112057	3	5	10	10	15	15	16 - 8	16	E101686	LR39540	YES
60	102676	3	5	10	10	15	15	16 - 8	16	E101686	-	YES
60	111612	3	5	10	10	15	15	16 - 8	16	E101686	-	YES
63	112030	3	5	10	20	25	30	10 - 3	53	E101686	-	YES
80	112054	5	7.5	15	20	40	50	10 - 3	53	E101686	-	YES
100	112055	5	10	20	25	50	50	10 - 3	53	E101686	-	YES

\* 30 Amp fused

### Lockable Handle Assemblies

#### Handle Assembly for Backpanel Mount Disconnect Switches

Lockable in the "Off" position with up to 3 padlocks (not furnished) with Door Interlock. Meets OSHA 1910.147 Lockout requirements. Available with red handle and yellow backplate or black handle with gray backplate. Operator is gasketed for Type 4 (IP65) environmental protection. Includes handle, 7.8 inch long shaft, coupling, legend plate and hardware.



102690

#### Handle Assembly for Door Mount Disconnect Switches

Lockable in the "Off" position with up to 3 padlocks (not furnished), no Door Interlock. Meets OSHA 1910.147 Lockout requirements. Operator is gasketed for Type 4 (IP65) environmental protection. Includes handle, legend plate and hardware.

### For Backpanel Mount Style

HANDLE ASSEMBLY COLOR	SIZE (mm)	TYPE	CATALOG NUMBER	WT Lbs	LIST PRICE
YELLOW / RED	72 x 72	XMXL2Y	102689	0.3	\$20
GRAY / BLACK	72 x 72	XMKN2Y	102690	0.3	\$20

### For Door Mount Style

TYPE	CATALOG NUMBER	WT Lbs	LIST PRICE
XMKL2Y	113223	0.2	\$18
XMKN2Y	113224	0.2	\$18

### Selector Style Handle Assemblies

#### Handle Assembly for Backpanel Mount Disconnect Switches

Non-lockable with Door Interlock. Available with Red/Yellow or Black/Gray handle and backplate. Operator is gasketed for Type 4X (IP65) environmental protection. Includes handle, 7.8 inch long shaft, coupling, legend plate and hardware.



113226

#### Handle Assembly for Door Mount Disconnect Switches

Non-lockable - no Door Interlock. Available with Red / Yellow or Black / Gray handle and backplate. Operator is gasketed for Type 12 (IP65) environmental protection. Includes handle, legend plate and hardware.

### For Backpanel Mount Style

HANDLE ASSEMBLY COLOR	SIZE (mm)	TYPE	CATALOG NUMBER	WT Lbs	LIST PRICE
YELLOW / RED	48 x 48	XMLG1Y	114832	0.3	\$23
YELLOW / RED	72 x 72	XMLG2Y	102687	0.3	\$23
GRAY / BLACK	48 x 48	XMLO1Y	114833	0.3	\$23
GRAY / BLACK	72 x 72	XMLO2Y	102685	0.3	\$23

### For Door Mount Style

TYPE	CATALOG NUMBER	WT Lbs	LIST PRICE
XMQG1Y	114834	0.2	\$23
XMQG2Y	113226	0.2	\$23
XMQO1Y	114835	0.2	\$23
XMQO2Y	113227	0.2	\$23

### Knob Style Handle Operator

#### Handle Assembly for Backpanel Mount Disconnect Switches

For direct control of Disconnect Switch. Mounts directly to the switch. No door interlock. Black Knob.



102249

### For Backpanel Mount Style

HANDLE ASSEMBLY COLOR	SIZE (mm)	TYPE	CATALOG NUMBER	WT Lbs	LIST PRICE
BLACK	59	G995N	102249	0.1	\$5

The **KZ, XA, XB and XF Type Disconnect Switch** can be factory mounted in an enclosure for use in industrial and commercial applications such as:

- Safety Switch
- Lock Out Switch to meet OSHA 1910 requirements
- Combination Motor Starting Switch and / or Fusible Disconnect Switch
- Motor Disconnect Switch (UL508)

The **KZ, XA (40 Amp) and XB (60 Amp)** are four pole non-fused switches. The fourth pole can be used as a non-fused power pole, N.O. auxiliary contact or a switched neutral pole. The **XA (63 - 80 - 100 Amp)** are three pole non-fused switches. The **XF (fused)** is a 4 pole switch with 3 fused poles plus 1 non-fused pole. This switch uses an integral Class CC fuse. If additional accessories are required, please specify (see accessories - page 120). Other enclosure sizes and types are available - consult factory.



**Mounted in Type 4X Non-Metallic Enclosure**

Amp RATING	SWITCH TYPE	ENCLOSURE SIZE H x W x D	CATALOG NUMBER	WT Lbs	LIST PRICE
30*	XF*	5.9" x 4.3" x 3.9"	111525	1.5	\$208
30	KZ	5.9" x 4.3" x 3.9"	114836	1.0	\$159
40	XA	5.9" x 4.3" x 3.9"	111515	1.3	\$168
60	XB	5.9" x 4.3" x 3.9"	111681	1.3	\$197
80	XA	8.6" x 5.9" x 5.9"	114837	1.4	\$239
100	XA	8.6" x 5.9" x 5.9"	114838	1.4	\$270

\* 30 Amp Fused

**Mounted in Type 12 Metal Enclosure**

Amp RATING	SWITCH TYPE	ENCLOSURE SIZE H x W x D	CATALOG NUMBER	WT Lbs	LIST PRICE
30*	XF*	8" x 6" x 6"	119924	8	\$310
30	KZ	6" x 6" x 4"	119925	7.5	\$261
40	XA	6" x 6" x 4"	119926	7.5	\$270
60	XB	6" x 6" x 4"	119927	7.6	\$299
80	XA	8" x 6" x 6"	119928	9	\$375
100	XA	8" x 6" x 6"	119929	9	\$410

\* 30 Amp Fused

**Mounted in Type 4 Stainless Steel Enclosure**

Amp RATING	SWITCH TYPE	ENCLOSURE SIZE H x W x D	CATALOG NUMBER	WT Lbs	LIST PRICE
30*	XF*	6" x 6" x 4"	111527	4.7	\$657
30	KZ	6" x 6" x 4"	114843	4.2	\$608
40	XA	6" x 6" x 4"	111517	4.5	\$617
60	XB	6" x 6" x 4"	114844	4.5	\$646
80	XA	10" x 8" x 6"	114845	12	\$939
100	XA	10" x 8" x 6"	114846	12	\$970

\* 30 Amp Fused

**Note:** To maintain enclosure UL/CSA rating, all connectors must have the same (or higher) UL/CSA rating as the enclosure. If the connector is Type 1, the enclosure rating becomes Type 1. Type 4X Non-metallic enclosures are UL listed Type 4, 4X, 12, 3R and 1; CSA Certified Type 12, 12K, 3R and 1.

### Shaft Coupling



102231

Joins 5 mm square operating shafts to mount switches in deeper enclosures.

CATALOG NUMBER	WT Lbs	LIST PRICE
102231	0.1	\$5.55

### Operating Shaft

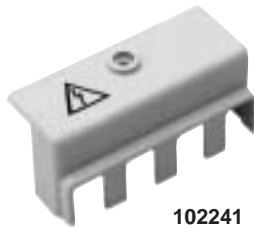


102247

Field cut for proper length.

LENGTH (INCHES)	CATALOG NUMBER	WT Lbs	LIST PRICE
7.8	102247	0.1	\$8.30
11.8	102245	0.2	\$9.00
19.7	102244	0.3	\$11.00

### Terminal Cover



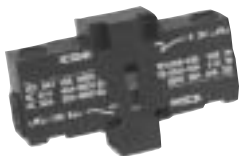
102241

Mount on either the Line and/or Load side of the switch.

SWITCH CATALOG NUMBER	CATALOG NUMBER	WT Lbs	LIST PRICE
112053	102871	0.1	\$5.50
112056	102871	0.1	\$5.50
102684	102241	0.1	\$6.00
102674	102241	0.1	\$6.00
112057	102241	0.1	\$6.00
102676	102241	0.1	\$6.00
111612	102241	0.1	\$6.00
112030	102984	0.1	\$7.00
112054	102984	0.1	\$7.00
112055	102984	0.1	\$7.00

### Add on Auxiliary Contact Block

Mounts on either the right or left side of the Load Break Switch.  
Rated: A600/Q600, 10 Amp



102678

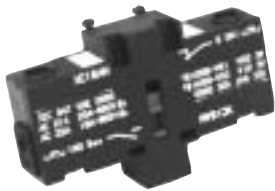
Maximum *one* per side (left or right)

SWITCH CATALOG NUMBER	CATALOG NUMBER		WT Lbs	LIST PRICE
	1 NO	1 NC		
102684*	102678	102679	0.1	\$20.00
102674	102678	102679	0.1	\$20.00
112057	102678	102679	0.1	\$20.00
102676	102678	102679	0.1	\$20.00
111612	102678	102679	0.1	\$20.00
112030	102985	102986	0.1	\$22.00
112054	102985	102986	0.1	\$22.00
112055	102985	102986	0.1	\$22.00

### 30 Amp Add on Power Poles

Mounts on either side of the switch (maximum 6 power poles). Several types of input power circuit combinations are possible:

- 1 - Single Phase + 1 Three Phase
- 2 - Single Phase
- 2 - Three Phase



102680

Maximum *one* per side (left or right).

SWITCH CATALOG NUMBER	CATALOG NUMBER		WT Lbs	LIST PRICE
	1 NO	1 NC		
102684 *	102680	102681	0.1	\$23.00
102674	102680	102681	0.1	\$23.00
112057	102680	102681	0.1	\$23.00
102676	102680	102681	0.1	\$23.00
111612	102680	102681	0.1	\$23.00

\*102684 (XF SERIES) - Maximum total of one (1) add on power pole or auxiliary contact.

**Class CC Time Delay Fuses** are for use with the **ACI XF Series Fusible Disconnect** (through 30 Amps) or with a separate Class CC fuse block. Class CC fuses are specifically designed for motor branch circuit protection up to 15 HP. They provide Type 2 (no damage) protection for motor circuit components with high short circuit interrupt (200,000 Amps) and superior current limiting characteristics, all in a small package size. These features allow the Class CC fuse to be a viable alternative to the older and physically larger Class RK fuses. For specific applications consult factory.

Fuse size: 30 Amp = 13/32" x 1 1/2", 60 Amp = 11/16" x 1 7/8"

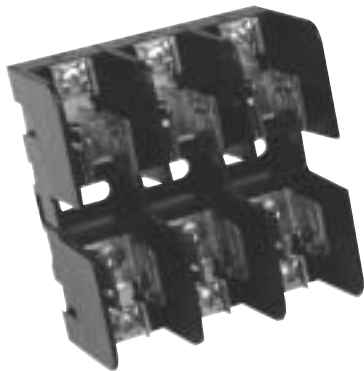
Fuses are furnished in packages of 10 pieces. List Prices are per each. Order by **Catalog Number**.

**Full Load Motor Amps (max.)**  
Based upon Acceleration Time

2 SECOND ACCEL	5 SECOND ACCEL	8 SECOND ACCEL
0.2	0.2	0.2
0.4	0.4	0.3
0.6	0.5	0.5
0.7	0.6	0.6
1.0	0.9	0.8
1.1	1.0	0.9
1.3	1.1	1.0
1.4	1.2	1.1
2.1	2.1	1.8
2.6	2.6	2.3
3.4	3.2	2.8
4.3	3.4	2.8
5.2	4.0	3.4
5.7	4.2	3.7
6.2	4.6	4.2
6.9	5.2	4.5
7.7	5.8	4.9
8.9	6.6	5.5
10.0	7.7	6.7
13.5	10.0	--
15.8	11.8	--
17.8	13.3	--

**Class CC Fuse**

Amp RATING	FUSE TYPE	CATALOG NUMBER	WT Lbs	LIST PRICE
1/4	CCMR 1/4	107594	0.1	\$11.75
1/2	CCMR 1/2	107593	0.1	\$11.20
8/10	CCMR 8/10	107615	0.1	\$11.20
1	CCMR 1	107589	0.1	\$11.20
1 1/4	CCMR 1 1/4	107591	0.1	\$12.00
1 1/2	CCMR 1 1/2	107590	0.1	\$12.00
1 8/10	CCMR 1 8/10	107592	0.1	\$12.00
2	CCMR 2	107598	0.1	\$11.20
2 1/2	CCMR 2 1/2	107599	0.1	\$11.20
3	CCMR 3	107602	0.1	\$11.20
4	CCMR 4	107605	0.1	\$11.20
5	CCMR 5	107608	0.1	\$11.20
6	CCMR 6	107610	0.1	\$12.00
7	CCMR 7	107612	0.1	\$12.00
8	CCMR 8	107614	0.1	\$12.00
9	CCMR 9	107616	0.1	\$12.00
10	CCMR 10	107595	0.1	\$11.20
12	CCMR 12	107596	0.1	\$12.00
15	CCMR 15	107597	0.1	\$11.20
20	CCMR 20	107600	0.1	\$11.20
25	CCMR 25	107601	0.1	\$12.00
30	CCMR 30	107604	0.1	\$11.20
35	CCMR 35	114847	0.2	\$18.25
40	CCMR 40	114848	0.2	\$18.25
45	CCMR 45	114849	0.2	\$18.25
50	CCMR 50	114850	0.2	\$18.25
60	CCMR 60	114852	0.2	\$18.25



**Class CC Fuse Blocks**

(Screw with Pressure Plate)

POLES	MAX Amp	CATALOG NUMBER	WT Lbs	LIST PRICE
1	30	118918	0.1	\$7.00
2	30	114853	0.2	\$11.00
3	30	114854	0.3	\$14.30
1	60	118921	0.2	\$13.50
2	60	114855	0.4	\$24.50
3	60	114856	0.5	\$35.20

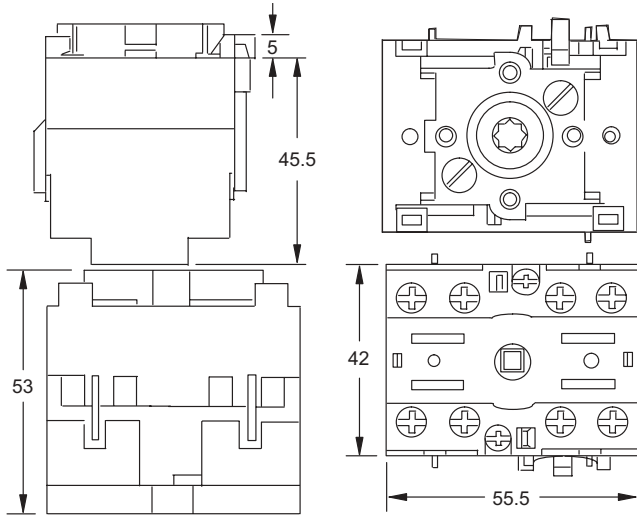
# 4 LOAD BREAK DISCONNECT SWITCHES

## SWITCH DIMENSIONS

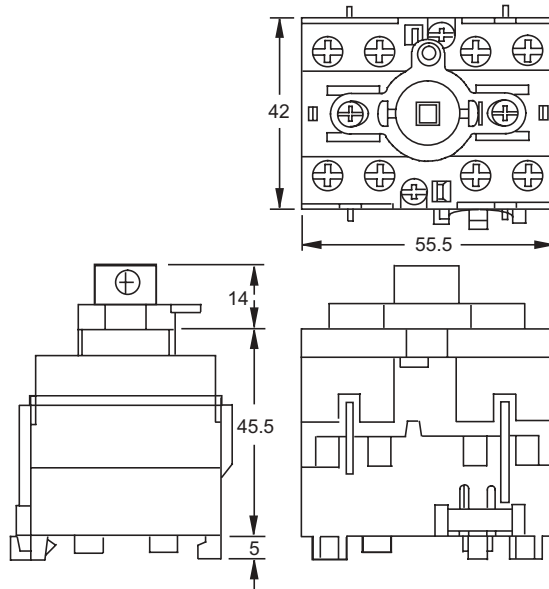
### KZ Type - 30 Amp Non-Fused Switch

Note: All dimensions are in millimeters. Inches = mm / 25.4

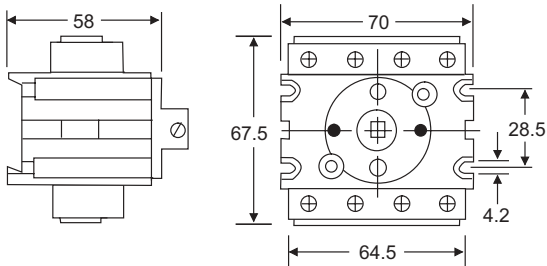
#### Door Mount Style



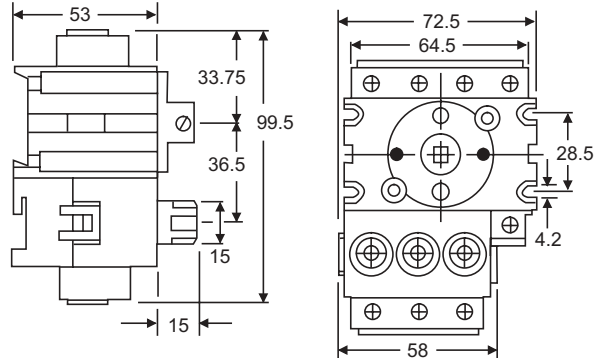
#### Backpanel Mount Style



### XA / XB Type - 40 / 60 Amp Non-Fused Switch



### XF Type - 30 Amp Fused Disconnect Switch



### XA Type - 63 / 80 / 100 Amp Non-Fused Switch

