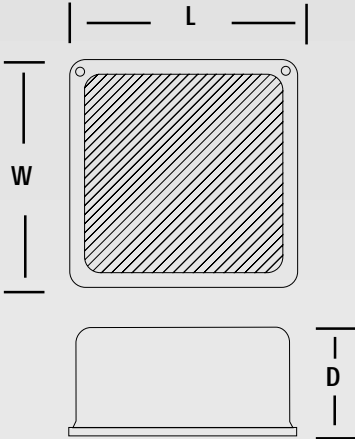


CF Series Canopy Fixture

Dimensions	Fixture Length	Fixture Width	Fixture Depth	Approx. Ship Wt.
CFS Series	12.4"	12.4"	5.25"	18 lbs.
CFM Series	16.4"	16.4"	7.0"	32 lbs.



Housing

The seamless, die cast aluminum housing is standard with our weather resistant bronze polyester powder topcoat. The door frame fits flush with the housing. Removable hinged door for easy maintenance. Others colors are available, check with factory for color options and cost.

Optics

The housing comes standard with hammertone aluminum optics. Ideally suited for indoor parking areas, canopies or walkways with a mounting height above 15' or for building mounted security lighting.

Lens

A tempered prismatic glass lens is held securely in a hinged die cast door frame that swings down to allow easy lamp and ballast access.

Ballast

All fixtures are standard with a high power factor multi-tap ballast (except 480V).

Lamps

The CFM canopy fixture utilizes 70-400W mogul base lamps. Note: To increase light levels by 20%, specify a pin-oriented socket using an MSX400/HOR lamp. The CFS utilizes 50-175W HPS or MH medium base lamps.

Gasketing

Complete silicone gasketing around housing to provide a water-tight seal.

Mounting

Three knock outs located in the base of the cast aluminum housing are provided to mount the fixture to steel or concrete ceiling or canopy. Do not mount to ceilings with combustible material.

Wiring

A knockout is located in the ballast compartment of the CFM housing. The CFS housing has multiple knockouts for mounting to junction boxes.

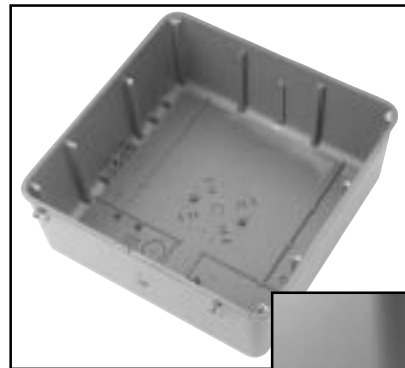
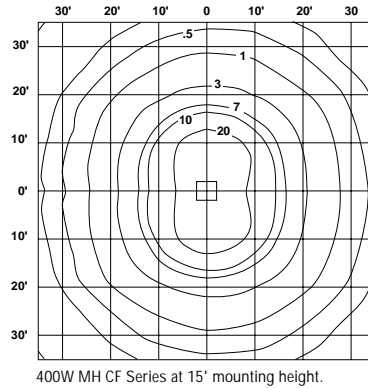
Warranty

The CF Canopy Fixture sold by C.E.W. Lighting, Inc., unless otherwise specified, will be warranted to be free of defects in materials and workmanship under normal use and service for a period of five (5) years from date of shipment, 175W-1000W. Lower wattages will be warranted for (2) years. If found to be defective by us, we will replace the non-performing components.



LISTED FOR WET LOCATIONS
CONSULT FACTORY FOR CUL AVAILABILITY

I.E.S. photometrics available by e-mail or on disk



Special **Gasket** and **Knockout** features on the new Spartan Canopy Fixtures make for easy adaptability and fixture placement.





To build catalog numbers refer to inside front cover

Canopy Fixture Order Information

CF Series Canopy Fixture

Wattage Range:
50-400W



Lamp Included

Mountings



Ceiling Mount

Housing Size (sq.)	Wattage Lamp	Catalog Number
12"	50W MH/PS	CFS0805-(a)(b)
	70W MH/PS	CFS0807-(a)(b)
	100W MH/PS	CFS0810-(a)(b)
	150W MH/PS	CFS0815-(a)(b)
	175W MH	CFS0417-(a)(b)
	50W HPS	CFS0505-(a)(b)
	70W HPS	CFS0507-(a)(b)
	100W HPS	CFS0510-(a)(b)
	150W HPS	CFS0515-(a)(b)
	16"	175W MH
200W MH/PS		CFM0820-(a)(b)
250W MH		CFM0425-(a)(b)
250W MH/PS		CFM0825-(a)(b)
320W MH/PS		CFM0832-(a)(b)
350W MH/PS		CFM0835-(a)(b)
400W MH		CFM0440-(a)(b)
400W MH/PS		CFM0840-(a)(b)
400W MSX/HOR		CFM0740-(a)(b)
70W HPS		CFM0507-(a)(b)
100W HPS		CFM0510-(a)(b)
150W HPS		CFM0515-(a)(b)
250W HPS		CFM0525-(a)(b)
400W HPS		CFM0540-(a)(b)

Note: 16" only for steel or concrete direct mount mounting hardware not supplied

(a) Voltage Suffix Key: Indicate voltage in space (a)

Description	120 Volt	277 Volt	208 Volt	240 Volt	480 Volt	Multi-tap
	1	2	3	4	5	M
	tapped @ 277V					

(b) Options: Indicate options in space (b) (Factory Installed)

Description	SUFFIX (b)
Fusing	
Single (120V & 277V)	F
Dual (208-240-480V)	J
Quartz Standby (Includes Q lamp: 50W = 12"; 150W = 16") Non delay-relay type	Q
White Housing (Custom Colors Available: Consult factory for pricing and delivery.)	WT

Note: HID wattage must be higher than quartz standby wattage.

Accessories: (Field-Installed)	Catalog Number
12" Wire Guard	WG-12
12" Vandal Shield	VS-12
16" Wire Guard	WG-16
16" Vandal Shield	VS-16