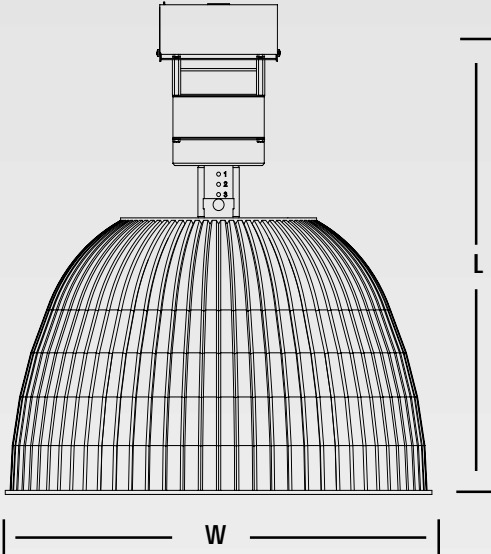


DL Series – 16", 22" & 25" Prismatic High Bay

Dimensions

Fixture Length	Min.	Max.	Width	Ship Wt.
DLS Series	19.1"	22.1"	16"	25 LBS. (APPROX.)
DLM Series	21.7"	24.7"	22"	25 LBS. (APPROX.)
DLL Series	22.1"	25.1"	25"	25 LBS. (APPROX.)

Spacing Criteria: .9 – 2.0



The economical D Series fixture is designed for commercial and industrial applications. Its high efficiency refractor delivers consistent high light levels with low glare and little refractor maintenance.

Refractor

The acrylic prismatic refractor produces a smooth, even beam pattern with over a 90% efficiency rating.

Ballast

The unique ballast mounting allows most of the heat to be generated into the air while the capacitor is housed in a separate compartment with an air barrier between the ballast and capacitor.

Mounting

3/4" conduit mount is standard. An optional hook, cord and plug is also available.

Adjustable Distribution

The patented spring loaded Twist-N-Lok™ refractor attachment system allows for complete tool-free installation of the refractor

Lamps

The D Series is available with standard and high output metal halide lamps. Coated lamps are recommended.

Warranty

The D Series High Bay sold by C.E.W. Lighting, Inc., unless otherwise specified, will be warranted to be free of defects in materials and workmanship under normal use and service for a period of five (5) years from date of shipment. If found to be defective by us, we will replace the non-performing parts or goods.



40°C, 55°C Ambient Rated

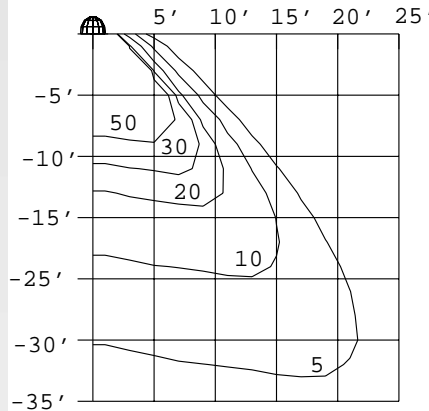


LISTED FOR DAMP LOCATIONS
CONSULT FACTORY FOR CUL AVAILABILITY

I.E.S. photometrics available by e-mail or on disk.

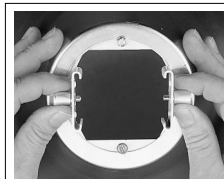
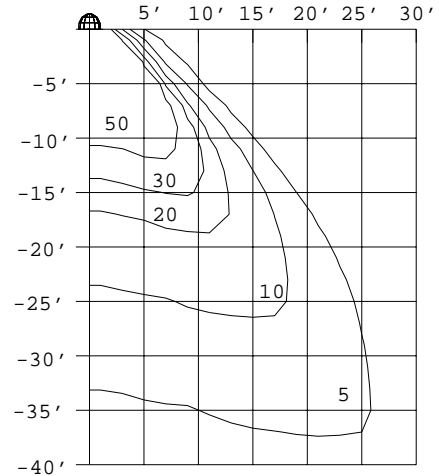
16" Prismatic

Cat #: DLS0225, DLS0425
Lamp: 250W Coated MH
Lumens: 25,000
Socket Position: 4
Certified Test Report: ITL36501
IES File: ELS425FM.IES
Spacing Criteria: 2.2



22" Prismatic

Cat #: DLM0240, DLM0440
Lamp: 400W Coated MH
Lumens: 36,000
Socket Position: 5
Certified Test Report: ITL37107
IES File: ELM440FM.IES
Spacing Criteria: 2.0



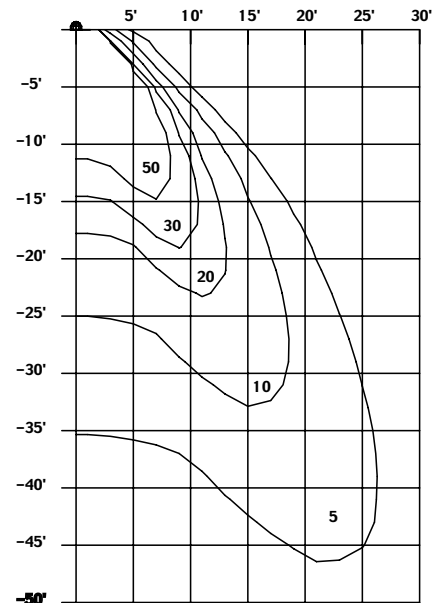
Twist-N-Lok™ – Locked



Twist-N-Lok™ – Open

22" Prismatic

Cat #: DLL0240, DLL0440
Lamp: 400W Coated MH
Lumens: 36,000
Socket Position: 3
Certified Test Report: ITL42314
IES File: ELM440FM.IES
Spacing Criteria: 1.9



D Prismatic Refractor Series Ambient Temperature Ratings

Fixture	Open		Enclosed	
	55°C	65°C	55°C	65°C
250W	yes ^①	yes ^①	yes	yes
400W	yes ^①	yes ^① DLM/DLL	yes DLM/DLL	yes DLL only

- ① HPS only or Open Rated
- ② Reduced Jacket Lamp Only
- ③ Glass Lens & Reduced Jacket Lamp Only



To build catalog numbers refer to inside front cover

DL Series – 16", 22" & 25" Prismatic High Bay

Wattage Range:
250 & 400W



Lamp Included

16" – DLS Series Order Information

Reflector Size	Wattage Lamp	Catalog Number			
		Enclosed or Restricted Lamp Conduit Mount	Enclosed or Restricted Lamp Hook, Cord & Plug	Open Rated Lamp Conduit Mount	Open Rated Lamp Hook, Cord & Plug
16"	250W MH	DLS0425-(a)(b)*	DLS2425-(a)(b)*	DLS0225-(a)(b)	DLS2225-(a)(b)
	400W MH	DLS0440-(a)(b)	DLS2440-(a)(b)	DLS0240-(a)(b)	DLS2240-(a)(b)

22" – DLM Series Order Information

Reflector Size	Wattage Lamp	Catalog Number			
		Enclosed or Restricted Lamp Conduit Mount	Enclosed or Restricted Lamp Hook, Cord & Plug	Open Rated Lamp Conduit Mount	Open Rated Lamp Hook, Cord & Plug
22"	250W MH	DLM0425-(a)(b)x	DLM2425-(a)(b)x	DLM0225-(a)(b)	DLM2225-(a)(b)
	400W MH	DLM0440-(a)(b)	DLM2440-(a)(b)	DLM0240-(a)(b)	DLM2240-(a)(b)

25" – DLL Series Order Information

Reflector Size	Wattage Lamp	Catalog Number			
		Enclosed or Restricted Lamp Conduit Mount	Enclosed or Restricted Lamp Hook, Cord & Plug	Open Rated Lamp Conduit Mount	Open Rated Lamp Hook, Cord & Plug
25"	250W MH	DLL0425-(a)(b)x	DLL2425-(a)(b)x	DLL0225-(a)(b)	DLL2225-(a)(b)
	400W MH	DLL0440-(a)(b)	DLL2440-(a)(b)	DLL0240-(a)(b)	DLL2240-(a)(b)

(a) Voltage Suffix Key: Indicate voltage in space (a)

Description	120 Volt (1)	277 Volt (2)	208 Volt (3)	240 Volt (4)	480 Volt (5)	Multi-tap (M)
-------------	--------------	--------------	--------------	--------------	--------------	---------------

(b) Options: Indicate options in space (b) (Factory Installed)

	SUFFIX
Conical Lens	16", 22", 25" Shade Options & Accessories on Pages 134 - 135
Flat Acrylic Lens	16" & 22" Shade Options & Accessories on Pages 134 - 135
Acrylic Drop Lens	16" & 22" Shade Options & Accessories on Pages 134 - 135
Aislelighter Lens	25" Shade Options & Accessories on Pages 134 - 135 (DLL up to 400W only)
Wrap Wire Guard –	16" & 22" Shade Options & Accessories on Pages 134 - 135
Full Wire Guard –	22" Shade Options & Accessories on Pages 134 - 135
Drop Lens w/Wire Guard –	22" Shade Options & Accessories on Pages 134 - 135
Coated Lamp (Recommended)	C

Accessories: (Field Installed)	Catalog Number
Ballast/Reflector Safety Chain - 6'	SC-6
Hook Only	HKSC

* Includes 816FLA Lens

†† Must be used with components on pages 136-139

x Indicates bottom lens assembly plus the appropriate cost adder