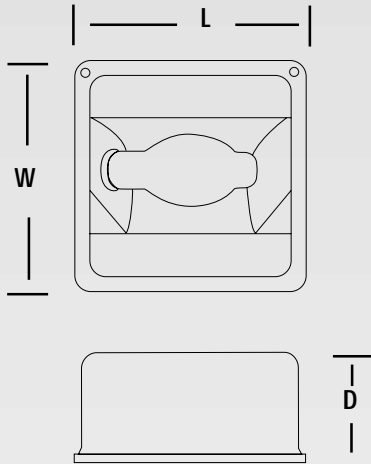


FC Series Cutoff Floodlight

Dimensions	Fixture Length	Fixture Width	Fixture Depth	Approx. Ship Wt.
FCS Series	12.4"	12.4"	5.25"	18 LBS.
FCM Series	16.4"	16.4"	7.0"	38 LBS.
FCL Series	23.4"	23.4"	10.25"	68 LBS.



EPA Rating: Listed on page 34.

Housing

The sleek square 12", 16" & 23" die cast aluminum housing with flush door frame and rounded edges are standard with bronze, black or white polyester powder top coat, other colors available on request (Consult Factory). Rotatable 23" housing – see "Optics"

EPA Rating

Because of its unique design, lower EPA levels are obtained, resulting in lower pole costs.

Optics

This IES NEMA Type 7 X 7 cutoff luminaire, while minimizing spill light, is generally positioned with a 15° to 25° vertical tilt to reduce glare and obtain optimum performance. The 23" housing can be rotated 90° both left and right in order to rotate optics.

Lens

A clear, tempered glass lens is held securely in a die cast door frame.

Ballast

All fixtures are standard with a high power factor multi-tap ballast (except 480V). All units are supplied with a 36" SOW16/3 cord connected to requested voltage. If no voltage is specified, cord is connected to 277V lead.

Gasketing

Complete silicone gasketing around lens frame and at mounting provide a watertight seal.

Lamps

The 12" housing utilizes a 50-175W medium base lamp and the 16" housing utilize 70W-400W, & the 23" housing utilizes up to 1000W mogul base lamps.

Mounting Options

For complete descriptions of mounting options, please refer to pages 42-47.

Warranty

The FC Cutoff Floodlight sold by C.E.W. Lighting, Inc., unless otherwise specified, will be warranted to be free of defects in materials and workmanship under normal use and service for a period of five (5) years from date of shipment, 175W-1000W. Lower wattages will be warranted for (2) years. If found to be defective by us, we will replace the non-performing components.



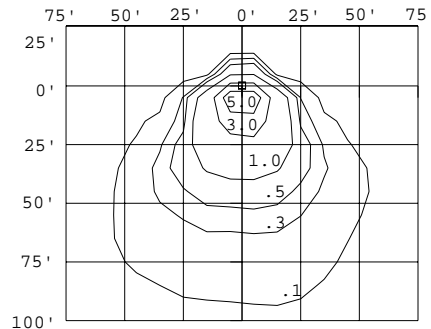
55°C Ambient Rated



LISTED FOR WET LOCATIONS
CONSULT FACTORY FOR CUL AVAILABILITY

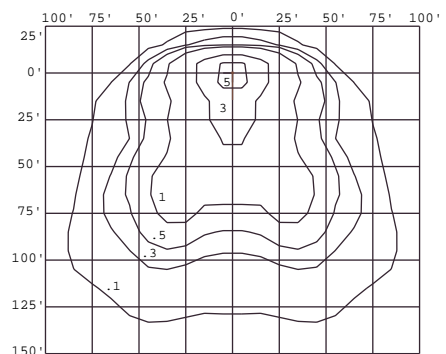
I.E.S. photometrics available by e-mail or on disk

12" FCS



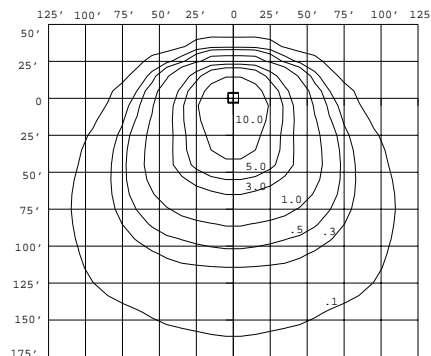
Isofootcandle plot of 175W MH Cutoff Floodlight at 15' mounting height, and 20° vert. tilt.

16" FCM

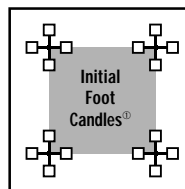


Isofootcandle plot of 400W MH Cutoff Floodlight at 25' mounting height, and 30° vert. tilt.

23" FCL



Isofootcandle plot of 1000W MH Cutoff Floodlight at 30' mounting height, and 20° vert. tilt.



Criteria:

Floodlight FC Series
Mounting Height: 25'
Wattage: 400W
Mounting: 2" Adjustable Slip Fitter
Pole Spacing: 4 times mounting height

Cutoff Floodlight Pole Spacing Selection Guide

Lamp Type	Desired Mounting Height	Tilt Angle	Design Footcandles	Catalog Number
Metal Halide				
175W	15'	20	14.6	FCS3417
400W	20'	25	17.4	FCM3440
400W	25'	20	11.2	
1000W	30'	25	20.6	FCL3499
1000W	35'	25	14.8	
High Pressure Sodium				
250W	20'	20	14.1	FCM3525
400W	25'	25	14.8	FCM3540
400W	30'	20	10.5	
1000W	30'	20	26.0	FCL3599
1000W	35'	20	18.9	

① Initial footcandles assume 4 floodlights per pole.



To build catalog numbers refer to inside front cover

Cutoff Floodlight Order Information

Housing Size (sq.)	Wattage Lamp	Catalog Number (add mounting code)	Mounting Code (Insert Code at * in Cat. #)
12"	175W MH	FCS*417-M(b)	3 = 2" Adjustable Slip Fitter
	50W MH/PS	FCS*805-M(b)	4 = Yoke Mt.
	70W MH/PS	FCS*807-M(b)	8 = Without Mounting
	100W MH/PS	FCS*810-M(b)	
	150W MH/PS	FCS*815-M(b)	
16"	175W MH	FCM*417-(a)(b)	
	250W MH	FCM*425-(a)(b)	
	400W MH	FCM*440-(a)(b)	
	200W MH/PS	FCM*820-(a)(b)	
250W MH/PS	FCM*825-(a)(b)		
320W MH/PS	FCM*832-(a)(b)		
350W MH/PS	FCM*835-(a)(b)		
400W MH/PS	FCM*840-(a)(b)		
23"	1000W MH	FCL*499-(a)(b)	
12"	35W HPS	FCS*503-1(b)	
	50W HPS	FCS*505-(a)(b)	
	70W HPS	FCS*507-(a)(b)	
	100W HPS	FCS*510-(a)(b)	
150W HPS	FCS*515-(a)(b)		
16"	150W HPS	FCM*515-(a)(b)	
	250W HPS	FCM*525-(a)(b)	
	400W HPS	FCM*540-(a)(b)	
23"	600W HPS	FCL*560-(a)(b)	
	1000W HPS	FCL*599-(a)(b)	(For wall mount brackets see page 47)

(a) Voltage Suffix Key: Indicate voltage in space (a)

Description	120 Volt	277 Volt	208 Volt	240 Volt	480 Volt	Multi-tap
	1	2	3	4	5	M
	tapped @ 277V					

(b) Options: Indicate options in space (b) (Factory Installed)

Description	SUFFIX (b)
Fusing	
Single (120V & 277V) (16" & 23" Housing Only) Specify Voltage in Suffix (a)	F
Dual (208-240-480V) (16" & 23" Housing Only) Specify Voltage in Suffix (a)	J
High-2-Low Option (16" & 23" Housing Only) (See Pgs. 28-29)	H
Quartz Standby (includes Q lamp: 50W=12", 150W = 16", 250W = 23") non delay-relay type.	Q
Photo Control - Specify Voltage in Suffix (a)	P
A twist lock receptacle & matching photocell are supplied (16" & 23" ONLY)	
White Housing (Custom Colors Available: Consult factory for pricing and delivery.)	WT
Black Housing (Custom Colors Available: Consult factory for pricing and delivery.)	BK

Accessories: (Field-Installed)	12" housing	16" housing	23" housing
Description	Catalog Number	Catalog Number	Catalog Number
Wire Guard	WG-12	WG-16	WG-23
Backlight Shield		BLS-16	BLS-23
Vandal Shield	VS-12	VS-16	VS-23

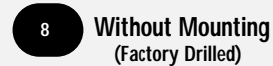
FC Series Cutoff Floodlight

Wattage Range:
35-1000W



Lamp Included

Mountings



Note: All 10° & 20° Arms — Order Separately

