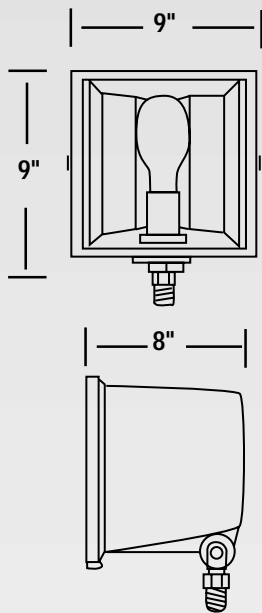


FMM Series 9" Mini Floodlight

Dimensions	Fixture Height	Fixture Width	Fixture Depth	Approx. Ship Wt.
FMM Series	9"	9"	8"	13 LBS.



EPA Rating: Not Required.

The FMM Mini Floodlight with its compact size and powerful wide beam is both a versatile and economic light source for building, sign and landscape lighting.

Housing

Made of rugged corrosion resistant die-cast aluminum in an architectural bronze or white polyester powder coat finish, the FMM Mini Floodlight blends perfectly with most architectural settings. The front lens door is easily opened by two top captive screws and it is pin-hinged for easy lamp replacement.

Ballast

Metal halide is high reactance only. From 50-175W high pressure sodium versions, utilize both multi-tap HPF and 120V NPF. Reactor ballasts are available in 35-150W.

Optics

Lower wattage (100W and below) have a Nema beam pattern of 5H x 4V; 150W and above have a wider 6H x 5V pattern.

Mounting Options

Utilizing a 1/2" adjustable fitter, the FMM floodlight mounts on a standard box and aims to any vertical degree setting. Designed for wall, ceiling or ground mount. For uplighting fixture must have a minimum 1° tilt so that contaminants do not create a hot spot and damage the lens.

Lamps

Available in both metal halide and high pressure sodium versions, the FMM Series utilizes a medium base lamp for all wattages.

Warranty

The FMM Series Mini Floodlight sold by C.E.W. Lighting, Inc., unless otherwise specified, will be warranted to be free of defects in materials and workmanship under normal use and service for a period of five (5) years from date of shipment, 175W-1000W. Lower wattages are warranted for (2) years. If found to be defective by us, we will replace the non-performing components.

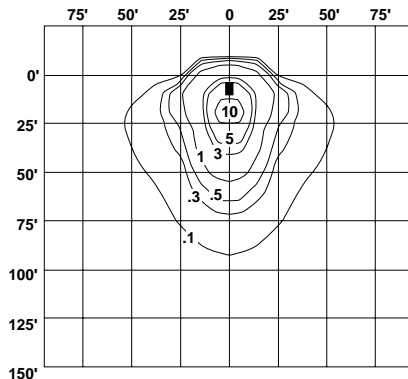


55°C Ambient Rated



LISTED FOR WET LOCATIONS
CONSULT FACTORY FOR CUL AVAILABILITY

I.E.S. photometrics available by e-mail or on disk



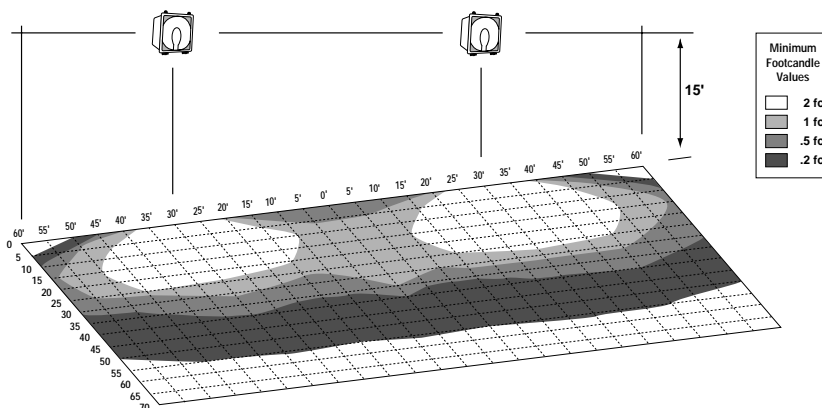
150W HPS FMM floodlight at 15' mounting height, and 65° vertical tilt.

HPS-150 Watt/Clear

Mounting Height:	15'
Number of Fixtures:	2
Aiming Angle:	65°

The FMM Series photometric data is based on a 150 watt clear HPS lamp rated at 15,800 lamp lumens. Footcandle values for other wattages are obtained by multiplying the chart values by the following factors:

Lamp/Wattage	Factor	Lamp/Wattage	Factor
35W HPS	.14	50W MH	.21
50W HPS	.25	70W MH	.35
70W HPS	.4	100W MH	.57
100W HPS	.6	150W MH	.85
150W HPS	1.0	175W MH	.91



TECHNICAL HOTLINE 1-800-242-5267



To build catalog numbers refer to inside front cover

Mini Floodlight Order Information

Housing Size	Wattage Lamp	Catalog Number
		1/2" Adjustable Fitter
ESS 9"	50W MH/PS	FMM6805-(a)(b)
ESS	70W MH/PS	FMM6807-(a)(b)
ESS	100W MH/PS	FMM6810-(a)(b)
ESS	150W MH/PS	FMM6815-(a)(b)
	175W MH	FMM6417-(a)(b)
	175W MH (480V)	FMM6417-5(b)
9"	35W HPS (120V NPF)	FMM6503-1-NPF(b) [ⓐ]
	50W HPS (120V NPF)	FMM6505-1-NPF(b) [ⓐ]
	50W HPS	FMM6505-(a)(b)
	70W HPS (120V NPF)	FMM6507-1-NPF(b) [ⓐ]
	70W HPS	FMM6507-(a)(b)
	100W HPS (120V NPF)	FMM6510-1-NPF(b) [ⓐ]
	100W HPS	FMM6510-(a)(b)
	150W HPS (120V NPF)	FMM6515-1-NPF(b) [ⓐ]
	150W HPS	FMM6515-(a)(b)

(a) Voltage Suffix Key: Indicate voltage in space (a)

Description	120 Volt [ⓐ]	277 Volt	208 Volt	240 Volt	480 Volt	Multi-tap
	1	2	3	4	5	M
	NPF				175W MH Only	tapped @ 277V

[ⓐ]All (NPF) fixtures can be ordered as High Power Factor

(b) Options: Indicate other options in space (b) (Factory Installed)

Description	SUFFIX
	(b)
Photo Cell - (Internal Button Type Only)	B
[ⓐ] High Power Factor (HPF) (120V only) (Change NPF to HPF)	HPF
White Housing	WT

Accessories: (Field Installed)

1/2" Adjustable Fitter (Replacement Mounting)	MA6-FMM
1/2" Tenon Adaptor	MA6-TA
Glare Shield	FMM-GS
Vandal Shield	FMM-VS

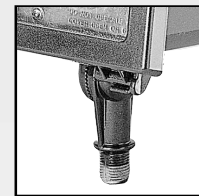
FMM Series 9" Mini Floodlight

Wattage Range:
35-175W

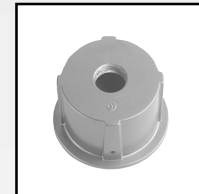


Lamp Included

Mountings



1/2" Adjustable Fitter
(MA6-FMM)



1/2" Tenon Adaptor
(MA6-TA)

Options



Glare Shield



Vandal Shield