

FMR Series 11" Roundback Flood

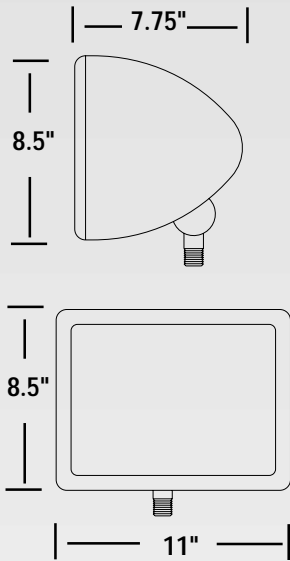


55°C Ambient Rated

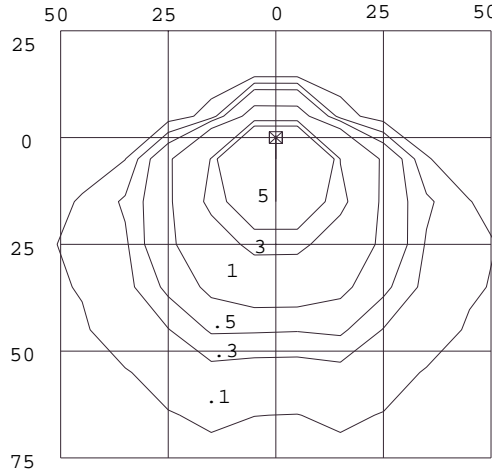


LISTED FOR WET LOCATIONS
CONSULT FACTORY FOR CUL AVAILABILITY

Dimensions	Fixture Height	Fixture Width	Fixture Depth	Approx. Ship Wt.
FMR Series	8.5"	11"	7.75"	15 lbs.



I.E.S. photometrics available by e-mail or on disk



175W MH FMR roundback flood at 15' mounting height, and 45° tilt.

Designer series cast aluminum rounded features with heat dissipating fins makes this flood light ideal for areas where the aesthetics are important. The stylish curves and perfect design of the FMR Series fixture blend aesthetically with the environment.

Housing

Cast aluminum with hinged door are polyester powder coated for outdoor rugged applications.

Lens

The front lens is 1/8" tempered glass. The lens is sealed into the lens frame using silicone glue. Each FMR fixture has silicone gasketing providing a water tight housing.

Ballasts

50-175W MH, high reactance and CWA Quad or 480V.

50-150W HPS, high reactance and CWA Quad or 480V.

Lamps

50-175W medium base MH lamps or 50-150W HPS medium base lamps are available for the FMR Series fixture.

Optics

Specular bright aluminum reflector is designed to provide a wide flood beam pattern.

Mounting Options

The FMR Roundback Flood comes standard with a heavy duty 1/2" adjustable tenon mount for both ground and wall mount. For uplighting fixture must have a minimum 1° tilt so that contaminants do not create a hot spot and damage the lens.

Warranty

The FMR Series Roundback Flood sold by C.E.W. Lighting, Inc., unless otherwise specified, will be warranted to be free of defects in materials and workmanship under normal use and service for a period of five (5) years from date of shipment, 175W-1000W. Lower wattages are warranted for (2) years. If found to be defective by us, we will replace the non-performing components.



To build catalog numbers refer to inside front cover

Roundback Flood Order Information

Catalog Number

Housing Size	Wattage Lamp	1/2" Knuckle Fitter
LESS 11"	50W MH/PS	FMR6805-(a)(b)
LESS Ground or Wall	70W MH/PS	FMR6807-(a)(b)
LESS	100W MH/PS	FMR6810-(a)(b)
LESS	150W MH/PS	FMR6815-(a)(b)
	175W MH	FMR6417-(a)(b)
	35W HPS	FMR6503-1 (b)
	50W HPS	FMR6505-1-NPF (b)
	50W HPS	FMR6505-(a)(b)
	70W HPS	FMR6507-1-NPF (b)
	70W HPS	FMR6507-(a)(b)
	100W HPS	FMR6510-1-NPF (b)
	100W HPS	FMR6510-(a)(b)
	150W HPS	FMR6515-1-NPF (b)
	150W HPS	FMR6515-(a)(b)

Note: Pulse Start lamps MUST be UNIVERSAL burn lamps.

(a) Voltage Suffix Key: Indicate voltage in space (a)

Description	120 Volt	277 Volt	208 Volt	240 Volt	480 Volt
	1	2	3	4	5
	175W MH Only				

(b) Options: Indicate options in space (b) (Factory Installed)

Description	SUFFIX (b)
High Power Factor	HPF
Bronze	BZ
White	WT
Verde Green	VG

Accessories: (Field Installed)

Description	SUFFIX
External Photocell	PT-20
Glare Shield	FMR-GS
1/2" Knuckle Fitter (Replacement Mounting)	MA6-FMR
1/2" Tenon Adaptor	MA6-TA

FMR Series 11" Roundback Flood

Wattage Range:
35-175W

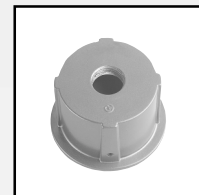


Lamp Included

Mounting



1/2" Knuckle Fitter
(MA6-FMR)



1/2" Tenon Adaptor
(MA6-TA)