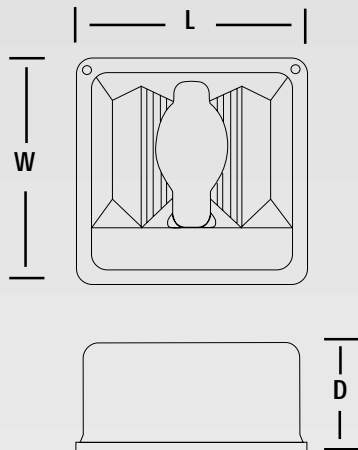


# FP Series Parking/Roadway Luminaire

Dimensions	Fixture Length	Fixture Width	Fixture Depth	Approx. Ship Wt.
FPS Series	12.4"	12.4"	5.25"	18 lbs.
FPM Series	16.4"	16.4"	7.0"	33 lbs.
FPL Series	23.4"	23.4"	10.25"	68 lbs.



**EPA Rating:** Listed on page 34.

## Housing

The sleek square 12", 16" & 23" die cast aluminum housing with flush door frame and rounded edges are standard with bronze, black or white polyester powder top coat, other colors available on request (Consult Factory). Rotatable 23" housing – see "Optics".

## EPA Rating

Because of its unique design, lower EPA levels are obtained, resulting in lower pole costs.

## Optics

The 16" & 23" housings come standard with Type III asymmetric distribution. Ideally suited for roadway applications, parking areas or for building mounted security lighting. The 23" housing can be rotated 90° left or right to allow the reflector to rotate.

## Lens

A clear, tempered glass lens is held securely in a die cast door frame.

## Ballast

All fixtures are standard with a high power factor multi-tap ballast (except 480V). All units are supplied with a 36" SOW16/3 cord connected to requested voltage. If no voltage is specified, cord is connected to 277V lead.

## Lamps

The 12" housing utilizes a 50-175W medium base lamp and the 16" size utilizes 70-400W mogul base lamps. The 23" size utilizes 1000W mogul base lamps.

Note: To increase light levels by 20%, specify a pin-oriented socket using a MSX400/HOR or MSX1000/HOR lamp.

## Gasketing

Complete silicone gasketing around lens frame and at mounting provide a watertight seal.

## Mounting Options

For complete descriptions of mounting options, please refer to pages 42-47.

## Warranty

The FP Luminaire sold by C.E.W. Lighting, Inc., unless otherwise specified, will be warranted to be free of defects in materials and workmanship under normal use and service for a period of five (5) years from date of shipment, 175W-1000W. Lower wattages will be warranted for (2) years. If found to be defective by us, we will replace the non-performing components.

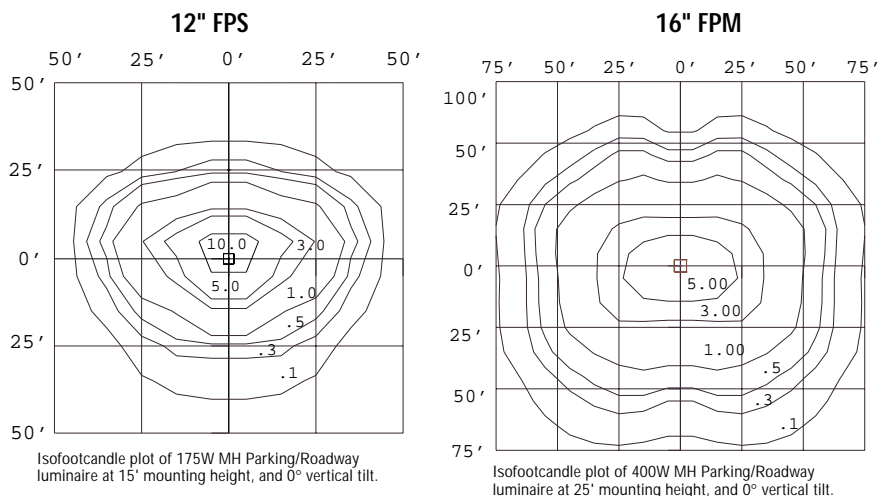


55°C Ambient Rated

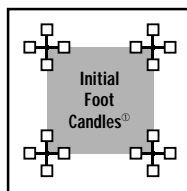
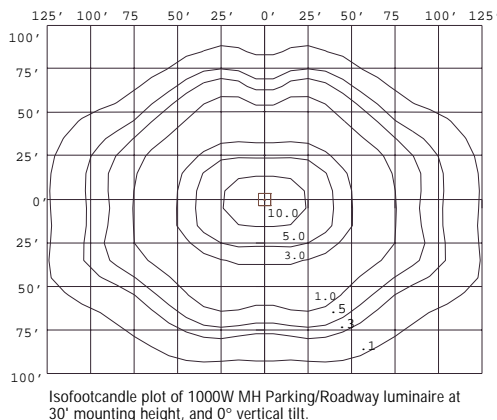


LISTED FOR WET LOCATIONS  
CONSULT FACTORY FOR CUL AVAILABILITY

I.E.S. photometrics available by e-mail or on disk



## 23" FPL



## Criteria:

FP Series Luminaire 0° vertical tilt.  
Mounting Height: 30'  
Wattage: 400W  
Mounting: 12" Extended Pole Mount  
Pole Spacing: 4 times mounting height

## Parking/Roadway Luminaire Pole Spacing Selection Guide

Lamp Type	Desired Mounting Height	Design Footcandles	Catalog Number	
Metal Halide	175W	12'	25.0	FPS2417
	400W	20'	16.8	FPM2440
	400W	25'	10.5	
	1000W	30'	19.8	FPL5499
	1000W	35'	14.3	
High Pressure Sodium	250W	20'	13.3	FPM2525
	400W	25'	15.0	FPM2540
	400W	30'	10.2	
	1000W	30'	26.9	FPL5599
	1000W	35'	19.5	

ⓂInitial footcandles assume 4 floodlights per pole.



To build catalog numbers refer to inside front cover

**Parking/Roadway Luminaire Order Information**

Housing Size (sq.)	Wattage Lamp	Catalog Number		Mounting Code (Insert Code at * in Cat. #)
		(add mounting code)		
12"	175W MH	FPS*417-(a)(b)		1 = 1-1/2" Close Pole Mt. ①
	50W MH/PS	FPS*805-M(b)		2 = 6" Extended Pole Mt. ①
	70W MH/PS	FPS*807-M(b)		5 = 12" Extended Pole Mt.
	100W MH/PS	FPS*810-M(b)		8 = Without Mounting
	150W MH/PS	FPS*815-M(b)		9 = Drill for Wishbone Mt.
16"	175W MH	FPM*417-(a)(b)		(23" Housing Factory Drilled for Wishbone is Standard.)
	250W MH	FPM*425-(a)(b)		
	250W MH/PS	FPM*825-(a)(b)		
	320W MH/PS	FPM*832-(a)(b)		
	350W MH/PS	FPM*835-(a)(b)		
16"	400W MH	FPM*440-(a)(b)		
	400W MH/PS	FPM*840-(a)(b)		
	400W MSX/HOR	FPM*740-(a)(b)*		
23"	1000W MH	FPL*499-(a)(b)		
	1000W MSX/HOR	FPL*799-(a)(b)*		
12"	35W HPS	FPS*503-1(b)		
	50W HPS	FPS*505-(a)(b)		
	70W HPS	FPS*507-(a)(b)		
	100W HPS	FPS*510-(a)(b)		
	150W HPS	FPS*515-(a)(b)		
16"	70W HPS	FPM*507-(a)(b)		
	100W HPS	FPM*510-(a)(b)		
	150W HPS	FPM*515-(a)(b)		
	250W HPS	FPM*525-(a)(b)		
23"	400W HPS	FPM*540-(a)(b)		
	600W HPS	FPL*560-(a)(b)		
	1000W HPS	FPL*599-(a)(b)		

\* 0° Tilt Mounting Only

(a) Voltage Suffix Key: Indicate voltage in space (a)

Description	120 Volt	277 Volt	208 Volt	240 Volt	480 Volt	Multi-tap
		1	2	3	4	5

tapped @ 277V

(b) Options: Indicate options in space (b) (Factory Installed)

Description	SUFFIX (b)
Fusing	
Single (120V & 277V) (16" & 23" Housing Only) Specify Voltage in Suffix (a)	F
Dual (208-240-480V) (16" & 23" Housing Only) Specify Voltage in Suffix (a)	J
High-2-Low Option (16" & 23" Housing Only) (See Pgs. 28-29)	H
Quartz Standby (Includes Q lamp: 50W = 12", 150W = 16", 250W = 23") Non delay-relay type Specify Voltage in Suffix (a)	Q
Photo Control— A twist lock receptacle and matching photocell are supplied. (16" & 23" ONLY) Specify Voltage in Suffix (a)	P
White Housing (Custom Colors Available: Consult factory for pricing and delivery.)	WT
Black Housing (Custom Colors Available: Consult factory for pricing and delivery.)	BK

Accessories: (Field-Installed)	12" housing	16" housing	23" housing
Description	Catalog Number	Catalog Number	Catalog Number
Wire Guard	WG-12	WG-16	WG-23
Vandal Shield	VS-12	VS-16	VS-23
Wishbone Mt. for 4" Round Pole		WBR16①	WBR23①
Wishbone Mt. for 4" Square Pole		WBS16①	WBS23①

① See page 30 – Tenon Adaptor for restrictions.

**FP Series  
Parking/Roadway Luminaire**

Wattage Range:  
35-1000W



Lamp Included

**Mountings**



1-1/2" Close Pole Mt.



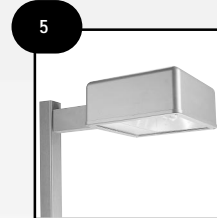
2" Adjustable Slip Fitter



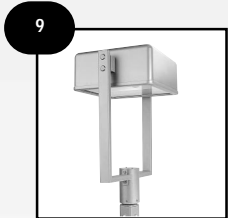
6" Extended Pole Mt.



Yoke Mount



12" Extended Pole Mt.



Wishbone Mount

8 Without Mounting  
(Factory Drilled)