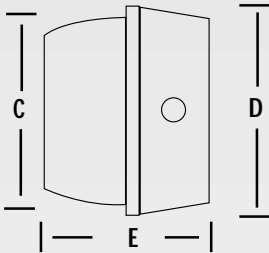
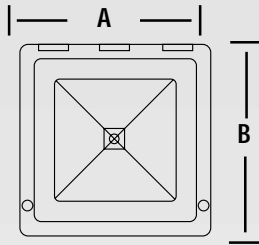


# GCS & GCV Series – 8" & 12" Square/HID Canopy



## Dimensions

|            | A      | B      | C   | D     | E      | Approx. Ship Wt. |
|------------|--------|--------|-----|-------|--------|------------------|
| GCS Series | 8.625" | 8.625" | 8"  | 9"    | 7.375" | 15 LBS.          |
| GCV Series | 12"    | 12"    | 12" | 12.5" | 8.5"   | 17 LBS.          |



Perfect for schools, recreation areas, garages, hotels/motels and institutions, the GCS & GCV Series vandal resistant HID fixtures are made of a die formed heavy aluminum, coated with a five-stage powder coat. Available with either standard or tamperproof screws.

### Optics

The clear prismatic polycarbonate refractor with UV inhibitors minimize discoloration. An internal or external hood is available to control light distribution when wall mounted in the vertical position.

### Labels

The GCS & GCV Series are UL listed for wet locations when ceiling mounted and damp locations when wall mounted.

### Lamps

The GCS Series utilizes medium base HPS 35-70W, twin 9W fluorescent and metal halide lamps in 50-70W, where the GCV Series uses medium based 50-150W HPS, twin 13W fluorescent 50-150W metal halide lamps.

### Ballast

The metal halide ballast is a high reactance, high power factor ballast, available in multi-tap (120/208/240/277V). The HPS is standard with normal power factor but can be ordered with high power factor as an option. The 480V is only available for the 70-100W HPS for the GCV Series. The fluorescent utilizes a 120V ballast only.

### Mounting

The GCS & GCV fixtures can be either ceiling mounted (wet label) or wall mounted (damp label) using GCSWB or GCVWB bracket option.

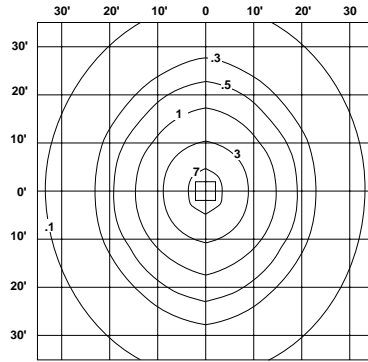
### Warranty

The GCS & GCV Series fixtures sold by C.E.W. Lighting, Inc., unless otherwise specified, will be warranted to be free of defects in materials and workmanship under normal use and service for a period of two (2) years from date of shipment. If found to be defective by us, we will replace the non-performing components.



LISTED FOR DAMP & WET LOCATIONS  
CONSULT FACTORY FOR CUL AVAILABILITY

I.E.S. photometrics available by e-mail or on disk



70W HPS GCS Series at 10' mounting height.

### 8" SQUARE PRISMATIC PHOTOMETRIC DATA

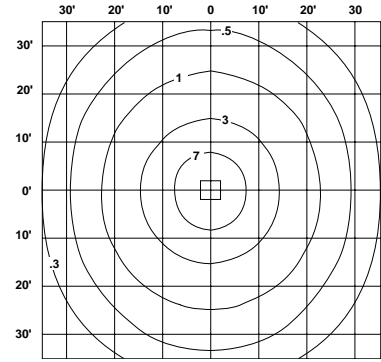
Curve #: GCS507.IES

Lamp: High Pressure Sodium

Wattage: 70W

Lumens: 6,300

Lens: Polycarbonate



150W HPS GCV Series at 15' mounting height.

### 12" SQUARE PRISMATIC PHOTOMETRIC DATA

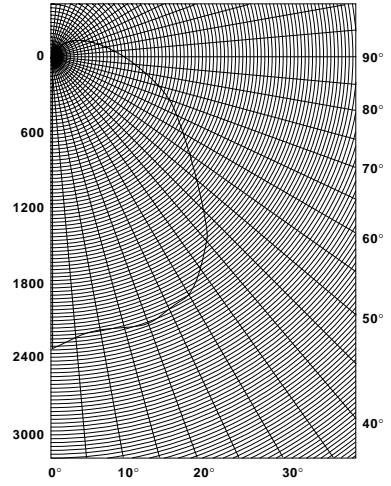
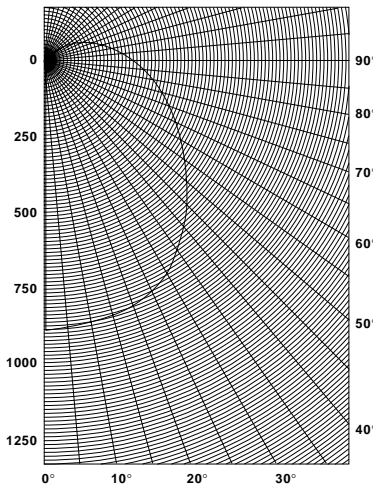
Curve #: GCV515.IES

Lamp: High Pressure Sodium

Wattage: 150W

Lumens: 16,000

Lens: Polycarbonate





# GCS & GCV Series – 8" & 12" Square/HID Canopy

Wattage Range:  
GCS 35-70W  
GCV 50-175W

To build catalog numbers refer to inside front cover

## GCS Series Order Information

| Housing Size (sq.) | Wattage Lamp | Catalog Number  |                 |
|--------------------|--------------|-----------------|-----------------|
|                    |              | Wall Mount      | Ceiling Mount   |
| LESS 8"            | 50W MH/PS    | GCS0805-M(b)    | GCS3805-M(b)    |
|                    | 70W MH/PS    | GCS0807-M(b)    | GCS3807-M(b)    |
| LESS               | 35W HPS      | GCS0503-1(b)    | GCS3503-1(b)    |
|                    | 50W HPS      | GCS0505-(a)(b)  | GCS3505-(a)(b)  |
|                    | 70W HPS      | GCS0507-(a)(b)  | GCS3507-(a)(b)  |
|                    | 2-9W CFL     | GCS0329-1(a)(b) | GCS3329-1(a)(b) |

(a) Voltage Suffix Key: Indicate voltage in space (a)

| Description    |              |               |
|----------------|--------------|---------------|
| 120 Volt       | 480V         | Multi-tap     |
| 1              | 5            | M             |
| HPS Only (NPF) | 70W HPS only | tapped @ 277V |

(b) Options: Indicate options in space (b) (Factory Installed)

| Description                  | SUFFIX |
|------------------------------|--------|
| High Power Factor (HPS only) | HPF    |

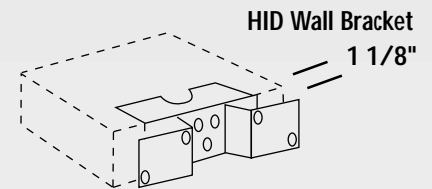
Accessories: (Field Installed)

| Description                      | Catalog Number |
|----------------------------------|----------------|
| Tamperproof Screws               | GCS-TS         |
| Tamperproof Screwdriver & Screws | GCS-TSD        |
| HID Wall Bracket                 | GCSWB          |
| Internal Hood                    | GCSIH          |
| External Hood (not shown)        | GCSEH          |



Lamp Included

## Mountings



## GCV Series Order Information

| Housing Size (sq.) | Wattage Lamp | Catalog Number  |                 |
|--------------------|--------------|-----------------|-----------------|
|                    |              | Wall Mount      | Ceiling Mount   |
| LESS 12"           | 50W MH/PS    | GCV0805-M(b)    | GCV3805-M(b)    |
|                    | 70W MH/PS    | GCV0807-M(b)    | GCV3807-M(b)    |
| LESS               | 100W MH/PS   | GCV0810-M(b)    | GCV3810-M(b)    |
| LESS               | 150W MH/PS   | GCV0815-M(b)    | GCV3815-M(b)    |
| LESS               | 175W MH      | GCV0417-M(b)    | GCV3417-M(b)    |
|                    | 50W HPS      | GCV0505-(a)(b)  | GCV3505-(a)(b)  |
|                    | 70W HPS      | GCV0507-(a)(b)  | GCV3507-(a)(b)  |
|                    | 100W HPS     | GCV0510-(a)(b)  | GCV3510-(a)(b)  |
|                    | 150W HPS     | GCV0515-1(a)(b) | GCV3515-1(a)(b) |
|                    | 2-13W CFL    | GCV0323-1(a)(b) | GCV3323-1(a)(b) |

(a) Voltage Suffix Key: Indicate voltage in space (a)

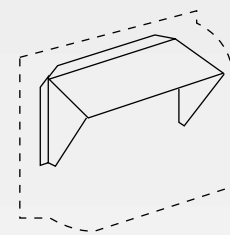
| Description    |                   |               |
|----------------|-------------------|---------------|
| 120V           | 480 Volt          | Multi-tap     |
| 1              | 5                 | M             |
| HPS only (NPF) | Excludes 150W HPS | tapped @ 277V |

(b) Options: Indicate options in space (b) (Factory Installed)

| Description                   | SUFFIX |
|-------------------------------|--------|
| High Power Factor (120V only) | HPF    |
| Quartz Restrike               | Q      |
| White                         | WT     |

Accessories: (Field Installed)

| Description                      | Catalog Number |
|----------------------------------|----------------|
| Tamperproof Screws               | GCV-TS         |
| Tamperproof Screwdriver & Screws | GCV-TSD        |
| HID Wall Bracket                 | GCVWB          |
| Internal Hood                    | GCVIH          |
| External Hood (not shown)        | GCVEH          |



Internal Hood