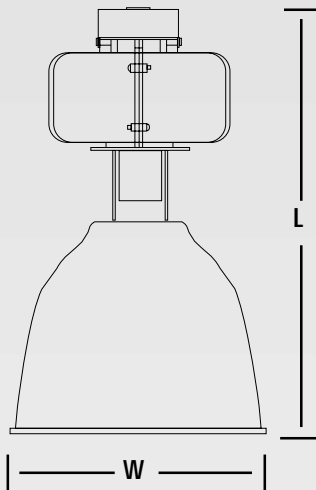


Dimensions	Fixture Length		Fixture Width	Approx. Ship Wt.
	Min.	Max.		
JBM Series	19.8"	22.8"	14"	25 LBS.
JBR Series	20.1"	23.1"	16"	25 LBS.
JBL Series	22.1"	25.1"	22"	37 LBS.

Spacing Criteria: .7 – 1.7



The heavy-duty JB Series fixture is designed for commercial and industrial applications. Its high efficiency reflector delivers consistent high light levels with low glare and little reflector maintenance.

### Reflector

The 14", 16" & 22" aluminum reflector produces a smooth, even beam pattern with an 80% efficiency rating. The 16" & 22" can be totally enclosed.

### Ballast

The heavy duty die cast aluminum ballast housing has heat dissipating fins to extend ballast life rated at 65°C ambient (see table). A multi-tap high power factor constant wattage autotransformer ballast is standard (480V is single tap). Linear reactor ballast 320W, 350W & 400W MH is available in 277V only.

### Adjustable Distribution

The patented spring loaded Twist-N-Lok™ reflector attachment system allows for complete tool-free installation of the reflector. Simply pull *open* the spring loaded locking pins and snap *lock* the reflector in place.

### Lamps

The JB is available with metal halide (70-1000W), super high output metal halide (400W) as well as 100-750W Pulse Start metal halide and HPS (250-1000W) lamp types. Open rated pulse start metal halide systems must utilize an EX39 open rated mogul socket.

### Mountings

Two mountings are available: direct Hard Wire or Hook, Cord & Plug (HCP). The slide box has an adjustable hook assembly for balancing the fixture. Also, the easy access wiring chamber provides additional room for wiring make-up.

### Warranty

The JB Series sold by C.E.W. Lighting, Inc., unless otherwise specified, will be warranted to be free of defects in materials and workmanship under normal use and service for a period of five (5) years from date of shipment, 175W-1000W. Lower wattages will be warranted for (2) years. If found to be defective by us, we will replace the non-performing parts or goods.

40°C, 55°C Ambient Rated

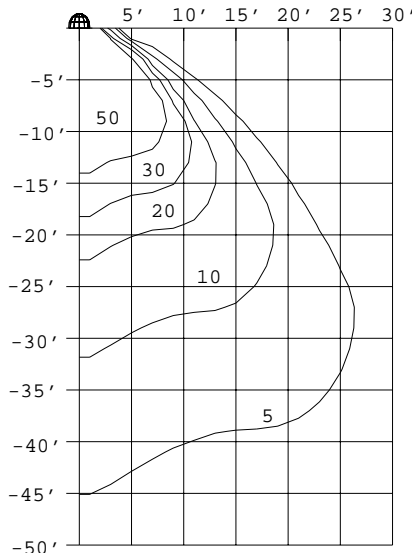


LISTED FOR DAMP LOCATIONS  
CONSULT FACTORY FOR CUL AVAILABILITY

I.E.S. photometrics available by e-mail or on disk

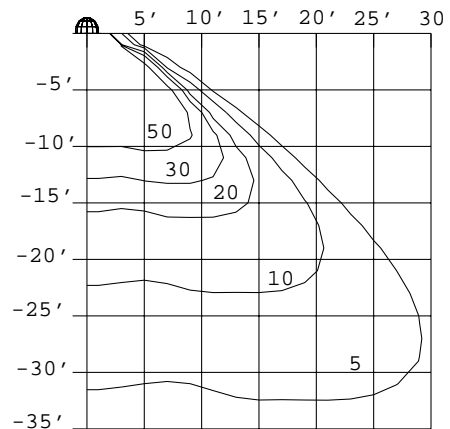
## 14" Reflector Spun Aluminum

Cat #: JBM0240, JBM0440  
Lamp: 400W Clear MH  
Lumens: 38,000  
Socket Position: 5  
Certified Test Report: ITL44732  
IES File: EBM740M.IES  
Spacing Criteria: 1.6



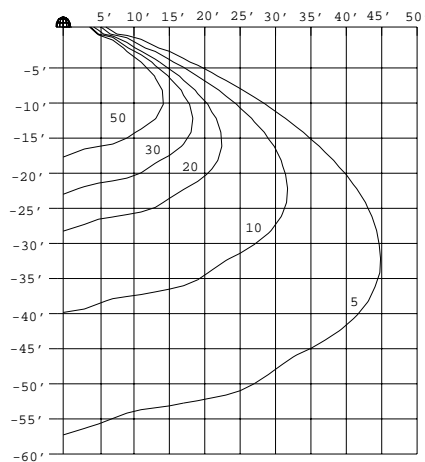
## 16" Reflector Spun Aluminum

Cat #: JBR0240, JBR0440  
Lamp: 400W Clear MH  
Lumens: 38,000  
Socket Position: 4  
Certified Test Report: ITL04142  
IES File: EBR0440M.IES  
Spacing Criteria: 2.5



## 22" Reflector Spun Aluminum

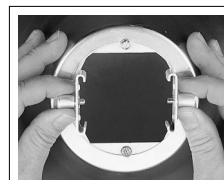
Cat #: JBL0499  
Lamp: 1000W Clear MH  
Lumens: 110,000  
Socket Position: 3  
Certified Test Report: ITL45159  
IES File: EBL499M.IES  
Spacing Criteria: 1.9



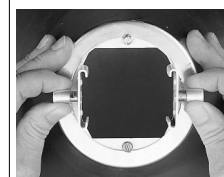
### JB Series Ambient Temperature Ratings

Fixture Wattage	Open		Enclosed	
	55°C	65°C	55°C	65°C
175W	yes <sup>①</sup>	yes <sup>①</sup>	yes	yes
250W	yes <sup>①</sup>	yes <sup>①</sup>	yes	yes
320W	yes <sup>①</sup>	yes <sup>①</sup>	yes	yes
350W	yes <sup>①</sup>	yes <sup>①</sup> JBR/JBL	yes JBR/JBL	yes JBL only
400W	yes <sup>①</sup>	yes <sup>①</sup> JBR/JBL	yes JBR/JBL	yes JBL only
450W	yes <sup>①</sup> JBR/JBL	yes <sup>①</sup> JBR/JBL	yes JBR/JBL	yes JBL only
1000W	yes <sup>①</sup> JBL only	yes <sup>①</sup> JBL only	yes <sup>③</sup> JBL only	yes <sup>③</sup> JBL only

- ① HPS or Open Rated MH
- ② Reduced Jacket Lamp only
- ③ Glass Lens & Reduced Jacket Lamp Only



Twist-N-Lok™ – Locked



Twist-N-Lok™ – Open



# JB Series – 14", 16" & 22" High Bay

To build catalog numbers refer to inside front cover

Wattage Range:  
70-1000W



Lamp Included



**Distributor Pak™**  
 © Replace dash (-) in order code to indicate Distributor Pak™  
 Available only with hard wire or hook, cord & plug. Not available with options.

## Mountings



Slide Box



Hook, Cord & Plug

## Accessories



Swivel Pendant

## 14" – JBM Series Order Information

Reflector Size	Wattage Lamp	Catalog Numbers			
		Enclosed/Restricted Lamp Split-Box	Enclosed/Restricted Lamp Hook, Cord & Plug	Open Rated Lamp Split-Box	Open Rated Lamp Hook, Cord & Plug
ESS 14"	70W MH/PS	JBM0807-(a)(b)*	JBM2807-(a)(b)*		
ESS	100W MH/PS	JBM0810-(a)(b)*	JBM2810-(a)(b)*		
ESS	150W MH/PS	JBM0815-(a)(b)*	JBM2815-(a)(b)*		
	175W MH	JBM0417-(a)(b)*	JBM2417-(a)(b)*		
ESS	175W MH/PS	JBM0817-(a)(b)*	JBM2817-(a)(b)*		
ESS	200W MH/PS	JBM0820-(a)(b)*	JBM2820-(a)(b)*	JBM0920-(a)(b)	JBM2920-(a)(b)
	250W MH	JBM0425-(a)(b)*	JBM2425-(a)(b)*	JBM0225-(a)(b)	JBM2225-(a)(b)
ESS	250W MH/PS	JBM0825-(a)(b)*	JBM2825-(a)(b)*	JBM0925-(a)(b)	JBM2925-(a)(b)
ESS	320W MH/PS	JBM0832-(a)(b)*	JBM2832-(a)(b)*	JBM0932-(a)(b)	JBM2932-(a)(b)
ESS	320W MH/PS Reactor	JBM0832-R2(b)*	JBM2832-R2(b)*	JBM0932-R2(b)	JBM2932-R2(b)
ESS	350W MH/PS	JBM0835-(a)(b)*	JBM2835-(a)(b)*	JBM0935-(a)(b)	JBM2935-(a)(b)
ESS	350W MH/PS Reactor	JBM0835-R2(b)*	JBM2835-R2(b)*	JBM0935-R2(b)	JBM2935-R2(b)
	400W MH	JBM0440-(a)(b)	JBM2440-(a)(b)	JBM0240-(a)(b)	JBM2240-(a)(b)
ESS	400W MH/PS	JBM0840-(a)(b)*	JBM2840-(a)(b)*	JBM0940-(a)(b)	JBM2940-(a)(b)
ESS	400W MH/PS Reactor	JBM0840-R2(b)*	JBM2840-R2(b)*	JBM0940-R2(b)	JBM2940-R2(b)
	400W MH-MSX	JBM0740-(a)(b)*	JBM2740-(a)(b)*		
ESS	450W MH/PS	JBM0845-(a)(b)*	JBM2845-(a)(b)*	JBM0945-(a)(b)	JBM2945-(a)(b)
	250W HPS			JBM0525-(a)(b)	JBM2525-(a)(b)
	400W HPS			JBM0540-(a)(b)	JBM2540-(a)(b)

## 16" – JBR Series Order Information

16"	175W MH	JBR0417-(a)(b)+	JBR2417-(a)(b)+		
ESS	175W MH/PS	JBR0817-(a)(b)+	JBR2817-(a)(b)+		
ESS	200W MH/PS	JBR0820-(a)(b)+	JBR2820-(a)(b)+	JBR0920-(a)(b)	JBR2920-(a)(b)
	250W MH	JBR0425-(a)(b)+	JBR2425-(a)(b)+	JBR0225-(a)(b)	JBR2225-(a)(b)
ESS	250W MH/PS	JBR0825-(a)(b)+	JBR2825-(a)(b)+	JBR0925-(a)(b)	JBR2925-(a)(b)
ESS	320W MH/PS	JBR0832-(a)(b)+	JBR2832-(a)(b)+	JBR0932-(a)(b)	JBR2932-(a)(b)
ESS	320W MH/PS Reactor	JBR0832-R2(b)+	JBR2832-R2(b)+	JBR0932-R2(b)	JBR2932-R2(b)
ESS	350W MH/PS	JBR0835-(a)(b)+	JBR2835-(a)(b)+	JBR0935-(a)(b)	JBR2935-(a)(b)
ESS	350W MH/PS Reactor	JBR0835-R2(b)+	JBR2835-R2(b)+	JBR0935-R2(b)	JBR2935-R2(b)
	400W MH	JBR0440-(a)(b)	JBR2440-(a)(b)	JBR0240-(a)(b)	JBR2240-(a)(b)
ESS	400W MH/PS	JBR0840-(a)(b)+	JBR2840-(a)(b)+	JBR0940-(a)(b)	JBR2940-(a)(b)
ESS	400W MH/PS Reactor	JBR0840-R2(b)+	JBR2840-R2(b)+	JBR0940-R2(b)	JBR2940-R2(b)
	400W MH-MSX	JBR0740-(a)(b)+	JBR2740-(a)(b)+		
ESS	450W MH/PS	JBR0845-(a)(b)+	JBR2845-(a)(b)+	JBR0945-(a)(b)	JBR2945-(a)(b)
	250W HPS			JBR0525-(a)(b)	JBR2525-(a)(b)
	400W HPS			JBR0540-(a)(b)	JBR2540-(a)(b)

## 22" – JBL Series Order Information

22"	400W MH	JBL0440-(a)(b)	JBL2440-(a)(b)	JBL0240-(a)(b)	JBL2240-(a)(b)
ESS	400W MH/PS	JBL0840-(a)(b)+	JBL2840-(a)(b)+	JBL0940-(a)(b)	JBL2940-(a)(b)
ESS	400W MH/PS Reactor	JBL0840-R2(b)+	JBL2840-R2(b)+	JBL0940-R2(b)	JBL2940-R2(b)
ESS	450W MH/PS	JBL0845-(a)(b)+	JBL2845-(a)(b)+	JBL0945-(a)(b)	JBL2945-(a)(b)
ESS	750W MH/PS	JBL0875-(a)(b)+	JBL2875-(a)(b)+		
	1000W MH	JBL0499-(a)(b)+	JBL2499-(a)(b)+	JBL0299-(a)(b)	JBL2299-(a)(b)
ESS	1000W MH/PS	JBL0899-(a)(b)+	JBL2899-(a)(b)+		
	1000W MH-MSX	JBL0799-(a)(b)	JBL2799-(a)(b)		
	1000W HPS			JBL0599-(a)(b)	JBL2599-(a)(b)

(a) Voltage Suffix Key: Indicate voltage in space (a)

120 Volt (1)	277 Volt (2)	208 Volt (3)	240 Volt (4)	480 Volt (5)	Multi-tap (M)	120 - 480V (M5)
						(tapped @ 277V)
						400W MH Only

(b) Options: Indicate options in space (b) (Factory Installed)

High-2-Low Option (175-1000W MH, 250-1000W MH/PS & 250 - 1000W HPS)††	H
Fusing —	F
Single (120V & 277V) Indicate Voltage in Suffix (a)	F
Dual (208-240-480V) Indicate Voltage in Suffix (a)	J
Totally Enclosed Dust Tight (16" & 22" ONLY)	G
Wet Location	W
Coated Lamp	C
Quartz Standby	Q
Potted Ballast	E

Accessories: (Field Installed)

Flat Glass Lens -	14", 16" & 22" Shade Options & Accessories on Pages 134- 135
Wire Guard -	14", 16" & 22" Shade Options & Accessories on Pages 134- 135
Flat Acrylic Lens -	16" & 22" Shade Options & Accessories on Pages 134- 135 (150-400W Only)
Mounting Hook - 3/4" Thread with Safety Snap-Lok™	HKSC
Ballast/Reflector Safety Chain - 6'	SC-6
Swivel Pendant Mount 3/4" x 18" (other lengths available upon request)	SP

\* Includes EB14LA-HR †† Must be used with components on pages 136-139

+ Indicates bottom lens assembly plus the appropriate cost adder