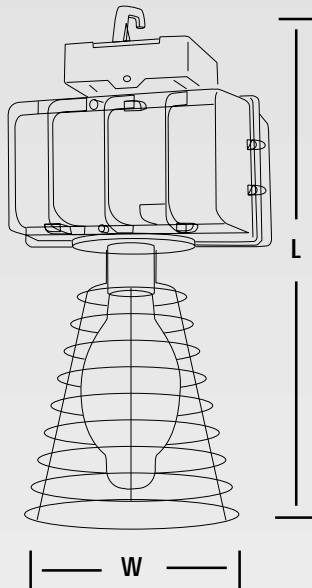


JTC Series Temp-Lite™ Jobsite Fixture

Dimensions	Fixture Length	Fixture Width	Approx. Ship Wt.
JTC Series	24.5"	9.25"	24 LBS.



The JTC Series Temp-Lite™ fixture replaces approximately two or three strings of temporary lights and can be converted to a permanent standard high bay/low bay with the addition of the desired optical assembly.

Ballast

Supplied standard with a multi-tap CWA ballast, the Temp-Lite™ can be easily hooked up to any available voltage.

Rugged Construction

Unlike other ballast housings made from sheet metal, the JTC series is designed for construction sites where abuse is common.

Lamps

Metal halide luminaires are available in 400W only.

Lamp Shield

The strong, plated steel cage shields the lamp from damage while allowing light distribution for a full 360°.

Mountings

Two mountings are available: direct hard wire and Hook, Cord & Plug (HCP). The slide box has an adjustable hook assembly for balancing the fixture. Also, the easy access wiring chamber provides additional room for wiring make-up.

Packaging

The JTC Series fixtures are packaged in a Distributor-Pak™, when specified or in two separate boxes for ease of inventory & shipping.

Labels

The JTC Series is UL listed for damp locations and retains its UL listing with its conversion to a standard high or low bay optical assembly.

Warranty

The JTC Temp-Lite™ sold by C.E.W. Lighting, Inc., unless otherwise specified, will be warranted to be free of defects in materials and workmanship under normal use and service for a period of five (5) years from date of shipment. If found to be defective by us, we will replace the non-performing parts or goods.

OSHA

The JTC Temp-Lite™ conforms to OSHA standards for light levels.



55°C, 65°C Ambient Rated



LISTED FOR DAMP LOCATIONS
CONSULT FACTORY FOR CUL AVAILABILITY

I.E.S. photometrics available by e-mail or on disk

JTC Temp-Lite™

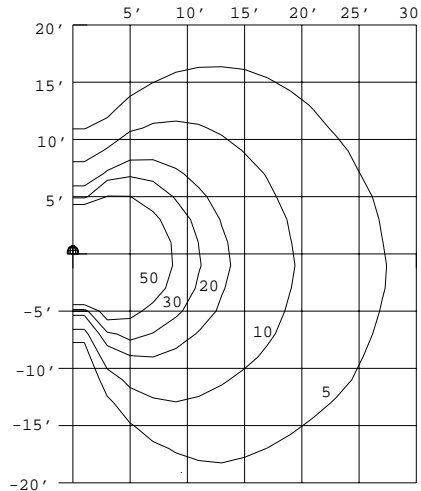
Cat #: JTC2440

Lamp: 400W Clear MH

Lumens: 38,000

Certified Test Report: B2013

IES File: ETC440.IES



*New –Easy to Ship–
Distributor Pak™*



To build catalog numbers refer to inside front cover

JTC Series Order Information

Catalog Number

Lamp Wattage	Slide Box	Hook, Cord, Plug
400W MH	JTC0440-(a)(b)	JTC2440-(a)(b)
Distributor Pak™	JTC0440@(a)(b)	JTC2440@(a)(b)

(a) Voltage Suffix Key: Indicate voltage in space (a)

Description							
120 Volt	120 Volt	277 Volt	208 Volt	240 Volt	480 Volt	Multi-tap	120 - 480V
1	S1	2	3	4	5	M	M5
(Twist Lock) (Straight Blade)						tapped @ 277V	400W MH Only

(b) Options: Indicate options in space (b) (Factory Installed)

Description	SUFFIX (b)
High-2-Low Option **	H
Fusing	
Single (120V & 277V)	F
Dual (208-240-480V)	J
Coated Lamp	C

Accessories: (Field Installed)

Catalog Number

Description	
Swivel Pendant Mount 3/4" x 18" long (other lengths available upon request)	SP
Thru Wire Split Box	T

Replacement Guard

Cylindrical Guard with Adjustable Top Steel Clamp	LG
---	----

** Must be used with components on pages 136-139

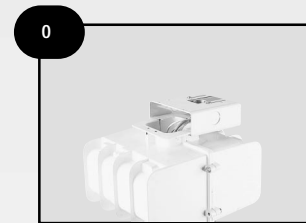
JTC Series Temp-Lite™ Jobsite Fixture

Wattage Range:
400W



Lamp Included

Mountings

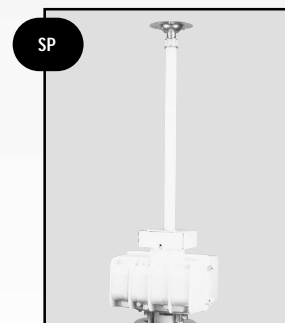


Slide Box



Hook, Cord & Plug

Accessories



Swivel Pendant