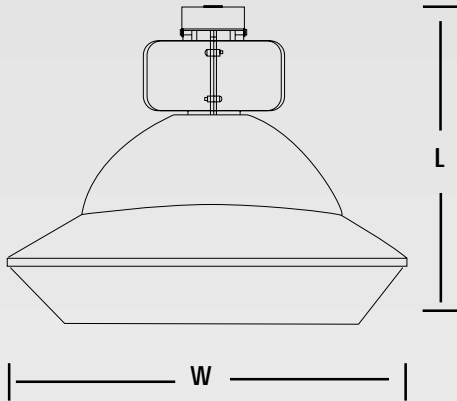


LJL Series 30" Low Bay

Dimensions	Fixture Length	Fixture Width	Approx. Ship Wt.
LJL Series	21.0"	30.0"	26 lbs.

Spacing Criteria: 1.3 – 2.0



The low bay LJL Series luminaire is designed for both commercial and industrial applications. Its wide 30" optics delivers practically glare free lighting with excellent fixture efficiency at low mounting heights.

Optics

The totally enclosed 30" aluminum reflector spreads light evenly and with minimum glare. The drop lens is made of virgin, color resistant acrylic. The drop lens assembly is easily snapped into place with 4 clips and is hinged to provide tool-free lamp access.

Ballast

Housed in a die cast aluminum housing with heat dissipating fins containing a multi-tap CWA ballast (480V use single tap). Linear reactor ballast in 320W, 350W & 400W MH available in 277V only.

Filtered Optics

For dirty environments, a special charcoal filter option is available to keep the inside refractor clean and efficient (option G).

Lamps

The LJL Series uses mogul base metal halide (175-450W), super high output metal halide (400W) and HPS (250-400W) lamps.

Mountings

Two separate mounting options are available:

- Slide Box (hard wire)
- Hook, Cord & Plug

Labels

The LJL Series is UL listed for damp locations and comes normally as a totally enclosed luminaire. Wet location UL listing available as an option.

Warranty

The LJL Low Bay sold by C.E.W. Lighting, Inc., unless otherwise specified, will be warranted to be free of defects in materials and workmanship under normal use and service for a period of five (5) years from date of shipment. If found to be defective by us, we will replace the non-performing components.



40°C, 55°C Ambient Rated



LISTED FOR DAMP LOCATIONS
CONSULT FACTORY FOR CUL AVAILABILITY

I.E.S. photometrics available by e-mail or on disk

30" Low Bay

Cat #: LJL0440, LJL2440, LJL5440

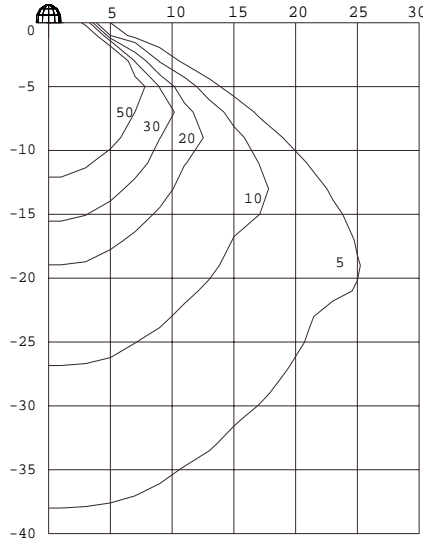
Lamp: 400W Clear MH

Lumens: 38,000

Certified Test Report: LTL03846

IES File: LBL0440.IES

Spacing Criteria: 1.5



LJL Series Ambient Temperature Ratings

Fixture Wattage	Enclosed Only		
	25°C	40°C	55°C
175W	yes	yes	yes
250W	yes	yes	LJM/LJL
320W	yes	LJM/LJL	LJL only
350W	yes	LJM/LJL	LJL only
400W	yes	LJM/LJL	LJL only
450W	yes	LJM/LJL	LJL only



To build catalog numbers refer to inside front cover

LJL Series Order Information

Reflector Size	Wattage Lamp	Catalog Number	
		Slide-Box	Hook, Cord & Plug
30"	175W MH	LJL0417-(a)(b)	LJL2417-(a)(b)
ESS	175W MH/PS	LJL0817-(a)(b)	LJL2817-(a)(b)
ESS	200W MH/PS	LJL0820-(a)(b)	LJL2820-(a)(b)
	250W MH	LJL0425-(a)(b)	LJL2425-(a)(b)
ESS	250W MH/PS	LJL0825-(a)(b)	LJL2825-(a)(b)
ESS	320W MH/PS	LJL0832-(a)(b)	LJL2832-(a)(b)
ESS	320W MH/PS Reactor	LJL0832-R2(b)	LJL2832-R2(b)
ESS	350W MH/PS	LJL0835-(a)(b)	LJL2835-(a)(b)
ESS	350W MH/PS Reactor	LJL0835-R2(b)	LJL2835-R2(b)
	400W MH	LJL0440-(a)(b)	LJL2440-(a)(b)
ESS	400W MH/PS	LJL0840-(a)(b)	LJL2840-(a)(b)
ESS	400W MH/PS Reactor	LJL0840-R2(b)	LJL2840-R2(b)
	400W MH-MSX	LJL0740-(a)(b)	LJL2740-(a)(b)
ESS	450W MH/PS	LJL0845-(a)(b)	LJL2845-(a)(b)
	250W HPS	LJL0525-(a)(b)	LJL2525-(a)(b)
	400W HPS	LJL0540-(a)(b)	LJL2540-(a)(b)

(a) Voltage Suffix Key: Indicate voltage in space (a)

Description	120 Volt	277 Volt	208 Volt	240 Volt	480 Volt	Multi-tap	120 - 480V
	1	2	3	4	5	M	M5
	400W MH Only						

(b) Options: Indicate options in space (b) (Factory Installed)

Description	SUFFIX (b)
High-2-Low Option (175-400W MH, 250-450W MH/PS & 250 & 400W HPS) ^{††} (CWA Only)	H
Fusing	
Single (120V & 277V)	F
Dual (208-240-480V)	J
Quartz Standby	Q
Potted Ballast	E
Totally Enclosed with Air Filter	G
Wet Location	W

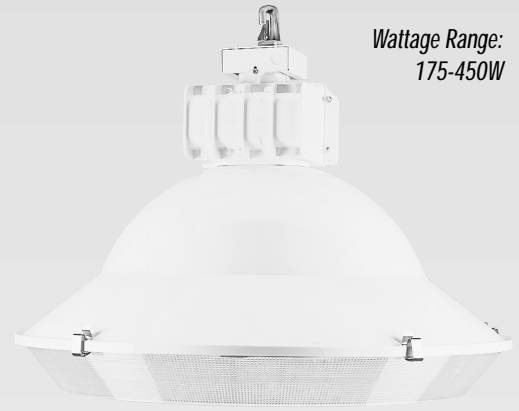
Accessories: (Field Installed)

Description	Catalog Number
Mounting Hook - 3/4" Thread with Safety Snap-Lok™	HKSC
Ballast/Reflector Safety Chain - 6'	SC-6
Swivel Pendant Mount 3/4" x 18" long (other lengths available upon request)	SP

^{††} Must be used with components on pages 136-139

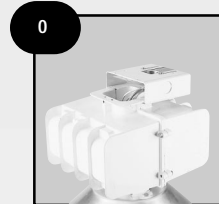
LJL Series 30" Low Bay

Wattage Range:
175-450W

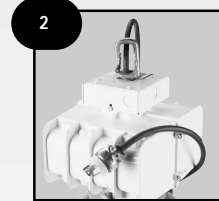


Lamp Included

Mountings

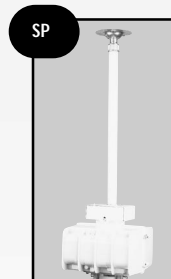


Slide Box



Hook, Cord & Plug

Accessories



Swivel Pendant