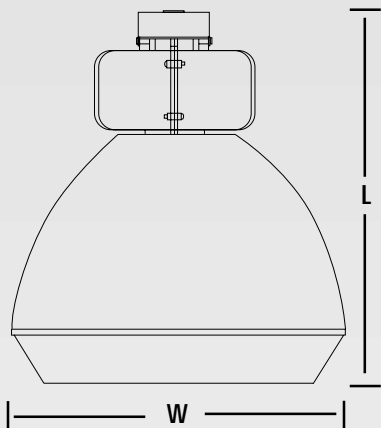


# LJM Series 22" Low Bay



| Dimensions | Fixture Length | Fixture Width | Approx. Ship Wt. |
|------------|----------------|---------------|------------------|
| LJM Series | 23.8"          | 22.0"         | 24 LBS.          |

Spacing Criteria: 1.8



The LJM Series Low bay luminaire is perfect for both commercial and industrial applications that require high light levels, good three dimensional visibility and a wide beam pattern at low mounting heights.

### Optics

The 22" reflector is totally enclosed. The drop lens assembly is easily snapped into place with 4 clips and is hinged to provide tool-free lamp access. The refractor is made of virgin, color resistant acrylic.

### Ballast

The die cast aluminum housing dissipates heat through its cooling fins. A multi-tap CWA ballast is standard (480V use single tap). Linear reactor ballast 320W, 350W & 400W is available in 277V only.

### Filtered Optics

For dirty environments, a special charcoal filter option is available to keep the inside refractor clean and efficient (option G).

### Lamps

The LJM Series uses mogul base metal halide (175-450W), super high output metal halide (400W) and standard HPS (250-400W) lamps.

### Mountings

Two separate mounting options are available:

- Slide Box (hard wire)
- Hook, Cord & Plug

### Labels

The LJM Series is UL listed for damp locations and comes standard as a totally enclosed luminaire. Wet location UL listing available as an option.

### Warranty

The LJM Low Bay sold by C.E.W. Lighting, Inc., unless otherwise specified, will be warranted to be free of defects in materials and workmanship under normal use and service for a period of five (5) years from date of shipment. If found to be defective by us, we will replace the non-performing components.

## 22" Low Bay

Cat #: LJM0440, LJM2440, LJM5440

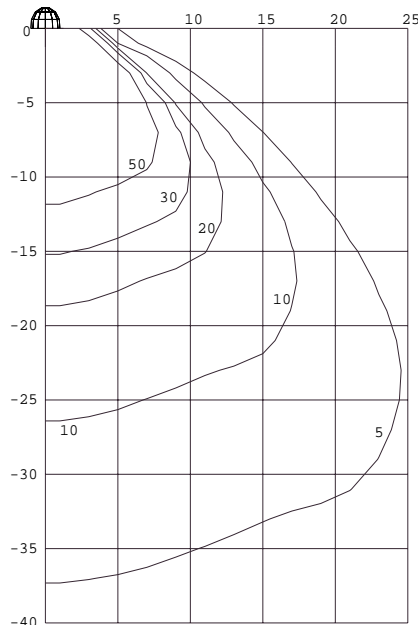
Lamp: 400W Clear MH

Lumens: 38,000

Certified Test Report: ITL45177

IES File: LBM440SE.IES

Spacing Criteria: 1.8



40°C, 55°C Ambient Rated LISTED FOR DAMP LOCATIONS  
CONSULT FACTORY FOR CUL AVAILABILITY

I.E.S. photometrics available by e-mail or on disk



Optical Chamber Air Filter – The granular charcoal air filter can be mounted on top of the reflector to prevent dirt contaminants. (option G)

### LJM Series Ambient Temperature Ratings

| Fixture Wattage | Enclosed Only |         |          |
|-----------------|---------------|---------|----------|
|                 | 25°C          | 40°C    | 55°C     |
| 175W            | yes           | yes     | yes      |
| 250W            | yes           | yes     | LJM/LJL  |
| 320W            | yes           | LJM/LJL | LJL only |
| 350W            | yes           | LJM/LJL | LJL only |
| 400W            | yes           | LJM/LJL | LJL only |
| 450W            | yes           | LJM/LJL | LJL only |



To build catalog numbers refer to inside front cover

### LJM Series Order Information

Catalog Number

| Reflector Size | Wattage Lamp       | Slide-Box      | Hook, Cord & Plug |
|----------------|--------------------|----------------|-------------------|
| 22"            | 175W MH            | LJM0417-(a)(b) | LJM2417-(a)(b)    |
| ESS            | 175W MH/PS         | LJM0817-(a)(b) | LJM2817-(a)(b)    |
| ESS            | 200W MH/PS         | LJM0820-(a)(b) | LJM2820-(a)(b)    |
|                | 250W MH            | LJM0425-(a)(b) | LJM2425-(a)(b)    |
| ESS            | 250W MH/PS         | LJM0825-(a)(b) | LJM2825-(a)(b)    |
| ESS            | 320W MH/PS         | LJM0832-(a)(b) | LJM2832-(a)(b)    |
| ESS            | 320W MH/PS Reactor | LJM0832-R2(b)  | LJM2832-R2(b)     |
| ESS            | 350W MH/PS         | LJM0835-(a)(b) | LJM2835-(a)(b)    |
| ESS            | 350W MH/PS Reactor | LJM0835-R2(b)  | LJM0835-R2(b)     |
|                | 400W MH            | LJM0440-(a)(b) | LJM2440-(a)(b)    |
| ESS            | 400W MH/PS         | LJM0840-(a)(b) | LJM2840-(a)(b)    |
| ESS            | 400W MH/PS Reactor | LJM0840-R2(b)  | LJM2840-R2(b)     |
|                | 400W MH-MSX        | LJM0740-(a)(b) | LJM2740-(a)(b)    |
| ESS            | 450W MH/PS         | LJM0845-(a)(b) | LJM2845-(a)(b)    |
|                | 250W HPS           | LJM0525-(a)(b) | LJM2525-(a)(b)    |
|                | 400W HPS           | LJM0540-(a)(b) | LJM2540-(a)(b)    |

(a) Voltage Suffix Key: Indicate voltage in space (a)

| Description | 120 Volt     | 277 Volt | 208 Volt | 240 Volt | 480 Volt | Multi-tap | 120 - 480V |
|-------------|--------------|----------|----------|----------|----------|-----------|------------|
|             | 1            | 2        | 3        | 4        | 5        | M         | M5         |
|             | 400W MH Only |          |          |          |          |           |            |

(b) Options: Indicate options in space (b) (Factory Installed)

| Description  | SUFFIX (b) |
|--|------------|
| High-2-Low Option (175-400W MH, 250-450W MH/PS & 250-400W HPS) ** (CWA Only) | H          |
| Fusing   |            |
| Single (120V & 277V)   | F          |
| Dual (208-240-480V)  | J          |
| Quartz Standby   | Q          |
| Potted Ballast   | E          |
| Totally Enclosed with Air Filter   | G          |
| Wet Location   | W          |

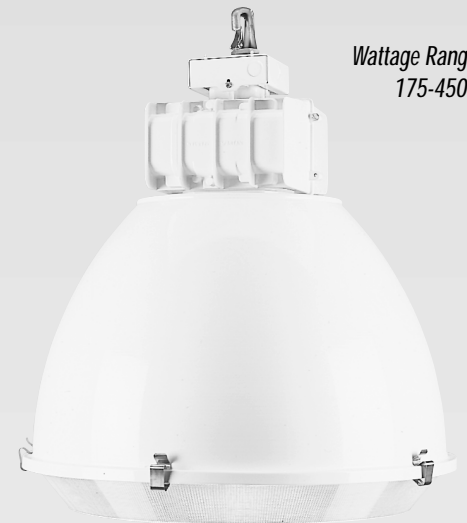
Accessories: (Field Installed)

| Description   | Catalog Number |
|---|----------------|
| Mounting Hook - 3/4" Thread with Safety Snap-Lok™                           | HKSC           |
| Ballast/Reflector Safety Chain - 6'   | SC-6           |
| Swivel Pendant Mount 3/4" x 18" long (other lengths available upon request) | SP             |
| Wire Guard - 22"  | EB22WG         |

\*\* Must be used with components on pages 136-139

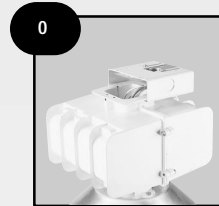
## LJM Series 22" Low Bay

Wattage Range:  
175-450W

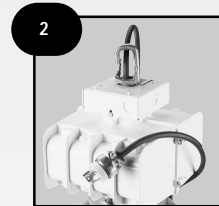


Lamp Included

### Mountings

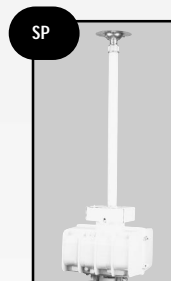


Slide Box



Hook, Cord & Plug

### Accessories



Swivel Pendant



Distributor Pak™

® Replace dash (-) in order code to indicate Distributor Pak™  
Available only with hard wire or hook, cord & plug. Not available with options.