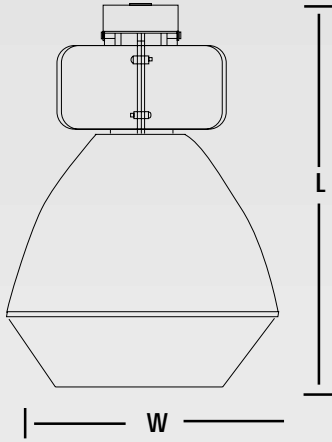


LJS Series 16" Low Bay

Dimensions	Fixture Length	Fixture Width	Approx. Ship Wt.
LJS Series	21.9"	16.0"	22 lbs.

Spacing Criteria: 1.3 – 2.0



The LJS Series is a compact 16" Low bay luminaire that can be used to minimize shadows, reduce fixture glare and still deliver high light levels at low mounting heights.

Optics

The compact 16" reflector covers a wide area with both vertical & horizontal footcandles required for most lighting tasks. The drop lens assembly is easily snapped into place with a ring and stainless steel clips.

Ballast

The die cast aluminum housing dissipates heat through its cooling fins. A multi-tap CWA ballast is standard (480V use single tap). Linear reactor ballast 320, 350W & 400W available in 277V only.

Filtered Optics

For dirty environments, a special charcoal filter option is available to keep the inside refractor clean and efficient.

Lamps

The LJS Series uses mogul base metal halide (175-400W), super high output metal halide (400W) and HPS (150-400W) lamps.

Mountings

Two separate mounting options are available:

- Slide Box (hard wire)
- Hook, Cord & Plug

Labels

The LJS Series is UL listed for damp locations and comes standard as a totally enclosed luminaire. Wet location UL listing available as an option.

Warranty

The LJS Low Bay sold by C.E.W. Lighting, Inc., unless otherwise specified, will be warranted to be free of defects in materials and workmanship under normal use and service for a period of five (5) years from date of shipment, 175W-1000W. Lower wattages will be warranted for (2) years. If found to be defective by us, we will replace the non-performing parts or goods.



40°C, 55°C Ambient Rated



LISTED FOR DAMP LOCATIONS
CONSULT FACTORY FOR CUL AVAILABILITY

I.E.S. photometrics available by e-mail or on disk

16" Low Bay

Cat #: LJS0425, LJS2425, LJS5425

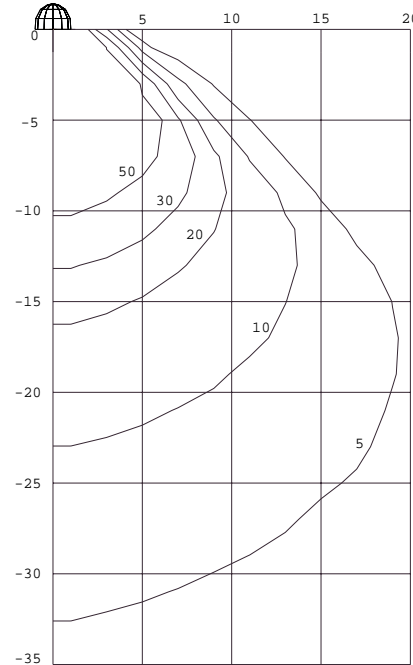
Lamp: 250W Clear MH

Lumens: 26,000

Certified Test Report: ITL45980

IES File: LBS425.IES

Spacing Criteria: 1.5



LJS Series Ambient Temperature Ratings

Fixture Wattage	Enclosed Only		
	25°C	40°C	55°C
175W	yes	yes	yes
250W	yes	yes	LJM/LJL
320W	yes	LJM/LJL	LJL only
350W	yes	LJM/LJL	LJL only
400W	yes	LJM/LJL	LJL only
450W	LJM/LJL	LJM/LJL	LJL only



To build catalog numbers refer to inside front cover

LJS Series Order Information

Reflector Size	Wattage Lamp	Catalog Number	
		Slide-Box	Hook, Cord & Plug
16"	175W MH	LJS0417-(a)(b)	LJS2417-(a)(b)
ESS	175W MH/PS	LJS0817-(a)(b)	LJS2817-(a)(b)
ESS	200W MH/PS	LJS0820-(a)(b)	LJS2820-(a)(b)
	250W MH	LJS0425-(a)(b)	LJS2425-(a)(b)
ESS	250W MH/PS	LJS0825-(a)(b)	LJS2825-(a)(b)
ESS	320W MH/PS *	LJS0832-(a)(b)	LJS2832-(a)(b)
ESS	320W MH/PS * Reactor	LJS0832-R2(b)	LJS2832-R2(b)
ESS	350W MH/PS *	LJS0835-(a)(b)	LJS2835-(a)(b)
ESS	350W MH/PS * Reactor	LJS0835-R2(b)	LJS2835-R2(b)
	400W MH *	LJS0440-(a)(b)	LJS2440-(a)(b)
ESS	400W MH/PS*	LJS0840-(a)(b)	LJS2840-(a)(b)
ESS	400W MH/PS * Reactor	LJS0840-R2(b)	LJS2840-R2(b)
ESS	400W MH-MSX *	LJS0740-(a)(b)	LJS2740-(a)(b)
	150W HPS	LJS0515-(a)(b)	LJS2515-(a)(b)
	250W HPS	LJS0525-(a)(b)	LJS2525-(a)(b)
	400W HPS	LJS0540-(a)(b)	LJS2540-(a)(b)

(a) Voltage Suffix Key: Indicate voltage in space (a)

Description	120 Volt	277 Volt	208 Volt	240 Volt	480 Volt	Multi-tap	120 - 480V
		1	2	3	4	5	M

(b) Options: Indicate options in space (b) (Factory Installed)

Description	SUFFIX (b)
High-2-Low Option (175-400W MH, 250-400W MH/PS & 150-400W HPS)** (CWA only)	H
Fusing	
Single (120V & 277V)	F
Dual (208-240-480V)	J
Quartz Standby	Q
Totally Enclosed with Air Filter	G
Potted Ballast	E
Wet Location (Hardwire Only)	W

Accessories: (Field Installed)

Description	Catalog Number
Mounting Hook - 3/4" Thread with Safety Snap-Lok™	HKSC
Ballast/Reflector Safety Chain - 6'	SC-6
Swivel Pendant Mount 3/4" x 18" long (other lengths available upon request)	SP

* Reduced Jacketed Lamp Required

** Must be used with components on pages 136-139

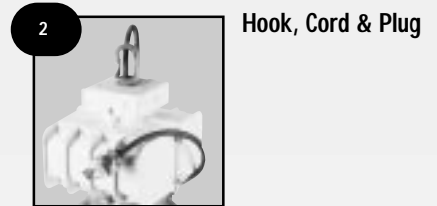
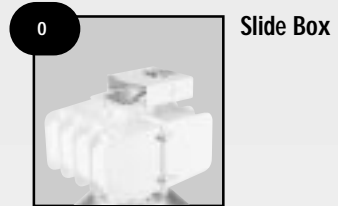
LJS Series 16" Low Bay

Wattage Range:
150-400W

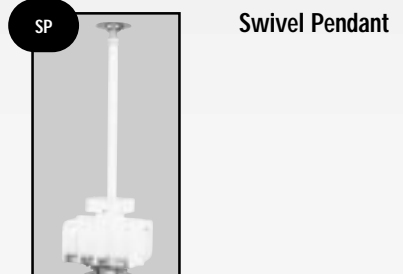


Lamp Included

Mountings



Accessories



Distributor Pak™
 © Replace dash (-) in order code to indicate Distributor Pak™
 Available only with hard wire or hook, cord & plug. Not available with options.