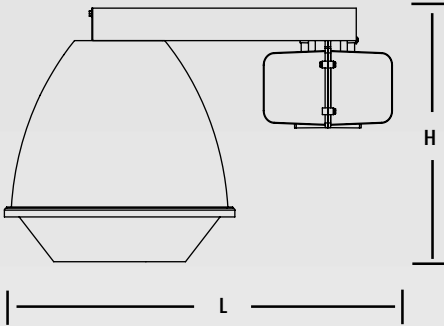


Low Profile Mounting Options



The low profile series is designed for low mount application where reduced fixture height is important.

Optics

Available in a variety of reflectors and acrylic refractors all with lens options and accessories.

Ballast

The low profile design incorporates a cast aluminum ballast housing.

Lamps

The Low Profile Series uses mogul base metal halide, super high output metal halide, Pulse Start metal halide and HPS lamps.

Warranty

The Low Profile Series Fixtures sold by C.E.W. Lighting, Inc., unless otherwise specified, will be warranted to be free of defects in materials and workmanship under normal use and service for a period of five (5) years from date of shipment. If found to be defective by us, we will replace the non-performing parts or goods.



LISTED FOR DAMP LOCATIONS
CONSULT FACTORY FOR CUL AVAILABILITY

I.E.S. photometrics available by e-mail or on disk

Dimensions	Fixture Length	Fixture Height
JBM	29.2	16.5-19.5
JBR	30.3	16.8-19.8
JBL	33.4	18.8-21.8
JCS	30.8	17.0-20.0
JCL	33.6	17.0-20.0
JLS	30.3	16.5-19.5
JLM	33.3	18.6-21.6
JLL	34.8	18.6-21.6
LJS	30.3	19.75
LJM	33.4	21.0
LJL	37.4	18.25



To build catalog numbers refer to inside front cover

14", 16" & 22" Spun Aluminum – JB Series LOW PROFILE

Low profile option available only with Hook-Cord-Plug.
– Change first (2) in ordering code to (5)

Example: (JBR2440 to JBR5440)

17" & 22" Faceted Reflector – JC Series LOW PROFILE

Low profile option available only with Hook-Cord-Plug.
– Change first (2) in ordering code to (5)

Example: (JCS2440 to JCS5440)

16", 22" & 25" Prismatic Refractor – JL Series LOW PROFILE

Low profile option available only with Hook-Cord-Plug.
– Change first (2) in ordering code to (5)

Example: (JLS2425 to JLS5425)

LJS Series LOW PROFILE

Low profile option available only with Hook-Cord-Plug.
– Change first (2) in ordering code to (5)

Example: Change (LJS2425 to LJS5425)

LJM Series LOW PROFILE

Low profile option available only with Hook-Cord-Plug.
– Change first (2) in ordering code to (5)

Example: Change (LJM2425 to LJM5425)

LJL Series LOW PROFILE

Low profile option available only with Hook-Cord-Plug.
– Change first (2) in ordering code to (5)

Example: Change (LJL2425 to LJL5425)

(a) **Voltage** Suffix Key: Indicate voltage in space (a)

Description						
120 Volt	277 Volt	208 Volt	240 Volt	480 Volt	Multi-tap	120 - 480V
1	2	3	4	5	M	M5
					tapped @ 277V	400W MH Only

(b) **Options:** Indicate options in space (b) (Factory Installed)

SUFFIX

Description	(b)
High-2-Low Option (175-1000W MH, 250-1000W MH/PS & 250 -1000W HPS) **	H
Fusing	
Single (120V & 277V)	F
Dual (208-240-480V)	J
Quartz Standby	Q

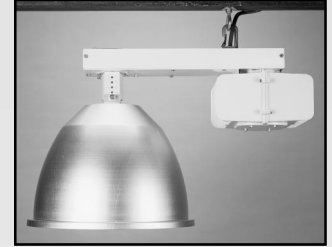
Accessories: (Field Installed)

Catalog Number

Description	Catalog Number
Ballast/Reflector Safety Chain - 6'	SC-6
Wire Guards - Refer to pg. 134-135 for Reflector Options & Accessories	

Low Profile Mounting Options

Wattage Range:
200-400W
Lamp Included



16" Spun Aluminum Low Profile Fixture
JBR5_ _ _ (a)(b)



17" Faceted Reflector Low Profile Fixture
JCS5_ _ _ (a)(b)



22" Prismatic Refractor Low Profile Fixture
JLM5_ _ _ (a)(b)



16" Low Profile Fixture
LJS5_ _ _ (a)(b)

22" Low Profile Fixture
LJM5_ _ _ (a)(b)

30" Low Profile Fixture
LJL5_ _ _ (a)(b)