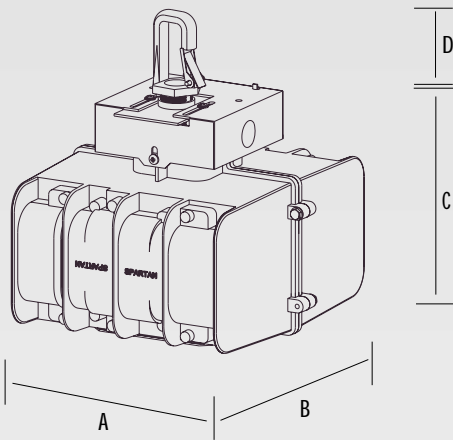


# RJ Series Remote Ballast J-Pod

## Dimensions

	A	B	C	D	Approx. Ship Wt.
RJM Series	8.5"	9.3"	7.5"	3"	15 LBS.
RJL Series	10.0"	13.2"	7.5"	3"	25 LBS.



### Housing

Heavy duty cast aluminum ballast housing with heat dissipating cooling fins are available in 2 sizes; 50W-450W and 1000W.

### Ballast

Metal halide, pulse start metal halide, HPS, and mercury vapor. CWA and reactor type ballast included in above housing.

### Mountings

Hook, cord, and plug or pendant mount for remote mounting from optical assembly.

### Application

Ideal for use where heat is a problem and ballast must be operated separately from the light source. (See chart for maximum distance).

### Optical Systems

Use with RSA optical assembly adaptor to all high bay and low bay shades offered. Pendant or hook mount as well as the JLC Remote Shade Assemblies (see page 168 for available wattages in JLC Remote Shade Assemblies).

### Wiring

Ballast can be supplied with 3/16 SOW 105° cord to any length specified.

### Warranty

The RJ series remote ballast sold by C.E.W. Lighting, Inc., unless otherwise specified, will be warranted to be free of defects in materials and workmanship under normal use and service for a period of five (5) years from date of shipment, 175W-1000W. Lower wattages will be warranted for (2) years. If found to be defective by us, we will replace the non-performing parts or goods.



55°C, 65°C Ambient Rated



RECOGNIZED FOR DAMP LOCATIONS  
CONSULT FACTORY FOR CUL AVAILABILITY

Metal Halide Distance	Gauge
Up to 50 ft.	16
50 to 100 ft.	14
100 to 200 ft.	12
200 to 300 ft.	10



To build catalog numbers refer to inside front cover

# RJ Series Remote Ballast J-Pod

Wattage Range:

## Remote J-Pod Order Information

LAMP TYPE	SL/CEW CODE	WATTS	VOLTS	SL BALST #	CAP.	IGNITOR	MAX BTL DISTANCE	HOUSING SIZE
<b>Metal Halide</b>								
RJMM17M		175	MT	70145	10uF	N/A	*	MED
RJMM17D		175	480	70128	10uF	N/A	*	MED
RJMM25M		250	MT	70171	15uF	N/A	*	MED
RJMM25D		250	480	70130	15uF	N/A	*	MED
RJMM40M		400	MT	70083	24uF	N/A	*	MED
RJMM40D		400	480	70132	24uF	N/A	*	MED
RJLM99M		1000	MT	70155	24uF	N/A	*	LARGE
RJLM99D		1000	480	70133	24uF	N/A	*	LARGE
RJLM95M		1500	MT	70161	32uF	N/A	*	LARGE
RJLM95D		1500	480	70162	32uF	N/A	*	LARGE

### PULSE START Metal Halide

RJMP05M		50	MT	70134P	6uF	MH100-5A	50'	MED
RJMP07M		70	MT	70135P	8uF	MH100-5A	50'	MED
RJMP10M		100	MT	70143P	10uF	MH100-5A	50'	MED
RJMP15M		150	MT	70136P	16uF	MH100-5A	50'	MED
RJMP17M		175	MT	70138	13uF	MH350-1	10'	MED
RJMP20M		200	MT	70138	15uF	MH350-1	10'	MED
RJMP20D		200	480	70163	16uF	BVS-039	10'	MED
RJMP25M		250	MT	70152	18.5uF	MH350-1	10'	MED
RJMP25D		250	480	70160	18.5uF	MH350-1	10'	MED
RJMP32M		320	MT	70139	24.5uF	BVS-040	15'	MED
RJMP32D		320	480	70172	24.5uF	MH350-1	10'	MED
RJMP35M		350	MT	70140	24uF	BVS-040	15'	MED
RJMP35D		350	480	70141	26uF	BVS-040	15'	MED
RJMP40M		400	MT	70142	28uF	BVS-040	15'	MED
RJMP40D		400	480	70151	28uF	BVS-040	15'	MED
RJMP45M		450	MT	70169	26uF	BVS-040	15'	MED
RJMP45D		450	480	70168	26uF	BVS-040	15'	MED

### High Pressure Sodium

RJMS03A		35	120	70117P	14uF**	HPS150-4A	10'	MED
RJMS05A		50	120	70101P	20uF**	HPS150-4A	10'	MED
RJMS05M		50	MT	70118P	5uF	HPS150-4A	10'	MED
RJMS07A		70	120	70100P	28uF**	HPS150-4A	10'	MED
RJMS07M		70	MT	70119P	7uF	HPS150-4A	10'	MED
RJMS07D		70	480	70120P	7uF	HPS150-4A	10'	MED
RJMS10A		100	120	70115P	40uF**	HPS150-4A	10'	MED
RJMS10M		100	MT	70121P	10uF	HPS150-4A	10'	MED
RJMS10D		100	480	70147P	10uF	HPS150-4A	10'	MED
RJMS15A		150	120	70102P	52uF**	HPS150-4A	10'	MED
RJMS15M		150	MT	70123P	14uF	HPS150-4A	10'	MED
RJMS25M		250	MT	70124P	35uF	HPS400-4A	25'	MED
RJMS25D		250	480	70125P	35uF	HPS400-4A	25'	MED
RJMS40M		400	MT	70149P	55uF	HPS400-4A	25'	MED
RJMS40D		400	480	70150P	55uF	HPS400-4A	25'	MED
RJLS99M		1000	MT	70126	26uF	HPS1000-4B	10'	LARGE
RJLS99D		1000	480	70127	26uF	HPS1000-4B	10'	LARGE

\* = Recommended Wire Gauge to Remote Lamp

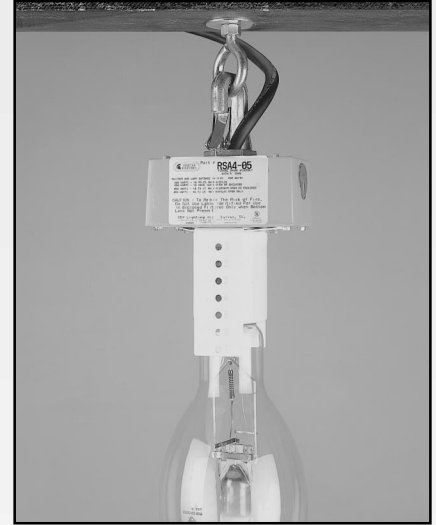
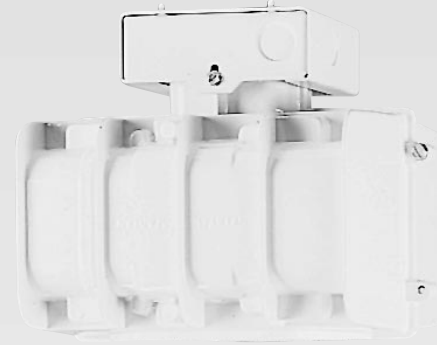
\*\* = Capacitor for High Power Factor Only

a) Voltage Suffix Key: Indicate voltage in space (a)

Description	120 Volt	Multi-Tap	480 Volt
	A	M	D

(b) Options: Indicate options in space (b) (Factory Installed)

	SUFFIX	Power	Lamp
High-2-Low™ Option (175-1000W MH, 250-450W MH/PS, & 250-1000W HPS) ** (CWA Only)		H	
<b>Fusing</b>			
Single (120V & 277V) Indicate Voltage in Suffix (a)		F	
Dual (208-240-480V) Indicate Voltage in Suffix (a)		J	
Power/Lamp Cord (specify length - feet)	SOW16/3	XX	XX
Twist Lock Plug (specify voltage)	P		
Quartz Restrike	Q		
Wet Location	W		
High Power Factor (120V reactor only)	HPF		



RSA MOGUL SOCKET ASSEMBLY