

"R" Series 2 X 2 Recessed Louver



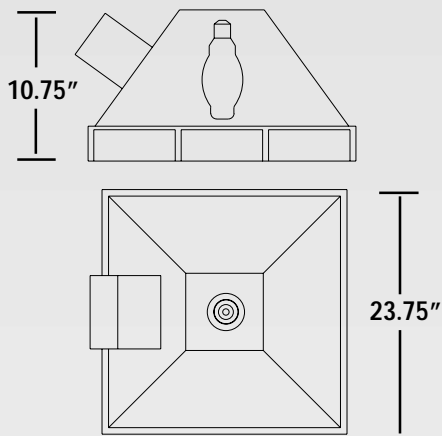
40°C Ambient Rated



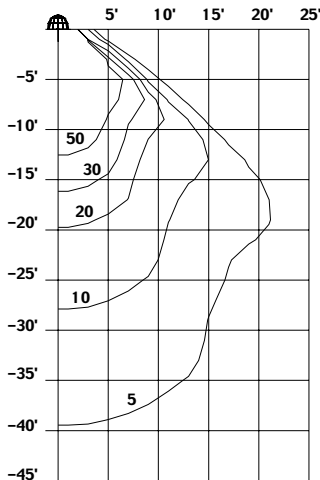
LISTED FOR RECESSED/DAMP LOCATIONS
CONSULT FACTORY FOR CUL AVAILABILITY

I.E.S. photometrics available by e-mail or on disk

Dimensions	Fixture Height	Fixture Width	Approx. Ship Wt.
RTV Series	10.75"	23.75" Sq.	35 LBS.
RMV Series	10.75"	23.75" Sq.	40 LBS.

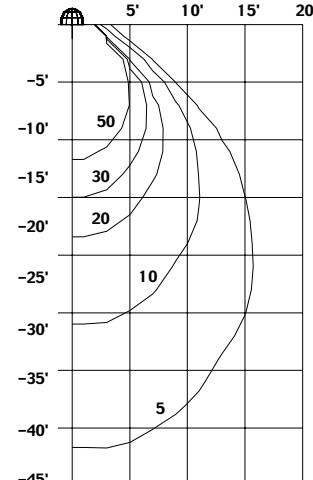


Lamp: 350W Coated MH/PS
Lumens: 35,000



9 Cell Louver

Lamp: 350W Coated MH/PS
Lumens: 35,000



16 Cell Louver

The HID Recessed 2 x 2 is typically used in low height areas that require high brightness and high quality illumination. Ideal for office, commercial or retail areas.

Housing

20-gauge steel housing with high-reflectance white powder coating.

Ballasts

A Potted magnetic CWA Quad or the Electronic dimmable 350-400W Pulse Start Ballast can be used.

Electronic Ballast

Fixture can be offered with fully dimmable electronic ballast which can be attached to various controls to operate 350W & 400W Pulse Start Metal Halide Lamp.

Lamps

175W, 250W & 400W MH and 250W - 400W Pulse Start MH, and 150W-400W HPS mogul based, vertical burn. Coated lamps are standard.

Optics

Diffused clear parabolic 16-cell or 9-cell 4" deep aluminum louvers sit in the middle of a black reveal.

Thermal Protector

This fixture is fitted with a cutout to protect against overheating.

Mounting Options

Designed to fit a standard 2' x 2' grid using T type ceiling support bracket.

Warranty

The 2 x 2 Series R-Series Square Recessed Fixture sold by C.E.W. Lighting, Inc., unless otherwise specified, will be warranted to be free of defects in materials and workmanship under normal use and service for a period of five (5) years from date of shipment, 175W-400W and (3) years for the electronic ballast. If found to be defective by us, we will replace the non-performing components.



To build catalog numbers refer to inside front cover

Recessed Fixture Order Information

Catalog Numbers

Housing Size	Wattage Lamp	Catalog Numbers	
		Magnetic Ballast Open Rated	Electronic Ballast Open Rated
24" Square			
Grid Mount -			
	175W MH	RMVG217-(a) (b)	
	250W MH	RMVG225-(a) (b)	
ESS	250W MH/PS	RMVG925-(a) (b)	
ESS	320W MH/PS	RMVG932-(a) (b)	
ESS	350W MH/PS	RMVG935-(a) (b)	RTVG935-(a) (b)
	400W MH	RMVG440-(a) (b)	
ESS	400W MH/PS	RMVG940-(a) (b)	RTVG940-(a) (b)
	150W HPS	RMVG515-(a) (b)	
	250W HPS	RMVG525-(a) (b)	
	400W HPS	RMVG540-(a) (b)	

(a) Voltage Suffix Key: Indicate voltage in space (a)

Description				
Magnetic Only				Magnetic Only
1	2	3	4	M
120V	277V	208V	240V	Multi-tap

(b) Options: Indicate options in space (b) (Factory Installed)

Description	SUFFIX
High-2-Low™ (CWA Magnetic Only)	(b)
Quartz Option (Electronic ETL Listed)	H
9 Cell Louver	Q
16 Cell Louver	L9
	L16

*Consult Customer Service or Your Local Sales Rep for control options for Electronic Ballast/See Pgs. 90-93

"R" Series 2 X 2 Recessed Louver Lens

Wattage Range:
175-400W (Magnetic)
350 & 400W (Electronic)



Lamp Included

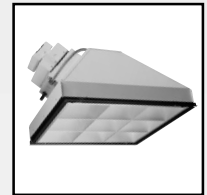
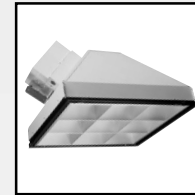
Electronic Housing with
16 cell Louver shown

LOUVER OPTIONS

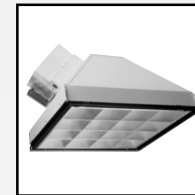
Magnetic

Electronic

9 Cell Lens



16 Cell Lens



"R" Series 2 X 2 Recessed Flat Lens



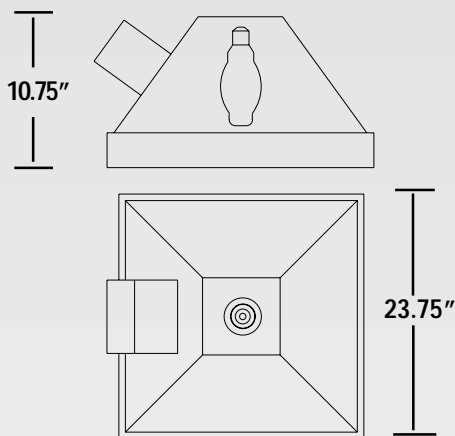
40°C Ambient Rated



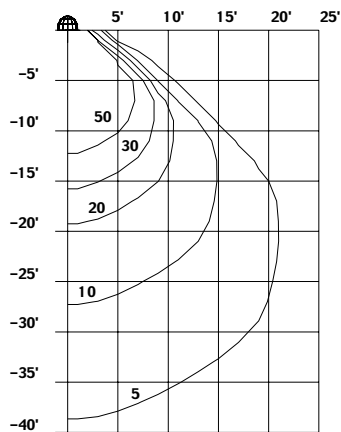
LISTED FOR RECESSED/DAMP LOCATIONS
CONSULT FACTORY FOR CUL AVAILABILITY

I.E.S. photometrics available by e-mail or on disk

Dimensions	Fixture Height	Fixture Width	Approx. Ship Wt.
RTV Series	10.75"	23.75" Sq.	35 LBS.
RMV Series	10.75"	23.75" Sq.	40 LBS.

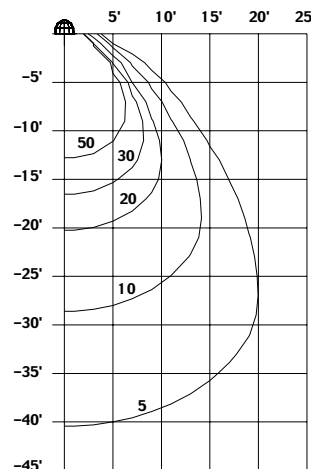


Lamp: 350W Coated MH/PS
Lumens: 35,000



Flat Prismatic Glass Lens (C73)

Lamp: 350W Coated MH/PS
Lumens: 35,000



Flat Clear Acrylic Lens
Flat Polycarbonate Lens
Flat Clear Glass Lens

The HID Recessed 2 x 2 is typically used in low height areas that require high brightness and high quality illumination. Ideal for office, commercial or retail areas.

Housing

20-gauge steel housing with high-reflectance white powder coating.

Ballasts

A Potted magnetic CWA Quad or the Electronic dimmable 350-400W Pulse Start Ballast can be used.

Electronic Ballast

Fixture can be offered with fully dimmable electronic ballast which can be attached to various controls to operate 350W & 400W Pulse Start Metal Halide Lamp.

Lamps

175W, 250W & 400W MH and 175W - 400W Pulse Start MH, and 150W-400W HPS mogul based, vertical burn. Coated lamps are standard.

Optics

Flat clear glass, C73 flat prismatic glass, flat polycarbonate lens or flat clear acrylic lens.

Thermal Protector

This fixture is fitted with a cutout to protect against overheating.

Mounting Options

Designed to fit a standard 2' x 2' grid using T type ceiling support bracket.

Warranty

The 2 x 2 Series R-Series Square Recessed Fixture sold by C.E.W. Lighting, Inc., unless otherwise specified, will be warranted to be free of defects in materials and workmanship under normal use and service for a period of five (5) years from date of shipment, 175W-400W and (3) years for the electronic ballast. If found to be defective by us, we will replace the non-performing components.



"R" Series 2 X 2 Recessed Flat Lens

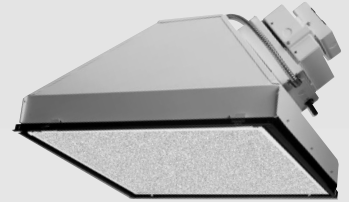
To build catalog numbers refer to inside front cover

Recessed Fixture Order Information

Catalog Numbers

Housing Size	Wattage Lamp	Magnetic Ballast Enclosed Rated	Electronic Ballast Enclosed Rated
24" Square			
Grid Mount -			
	175W MH	RMVG417-(a) (b)	
LESS	175W MH/PS	RMVG817-(a) (b)	
	175W MH-MSX	RMVG717-(a) (b)	
	250W MH	RMVG425-(a) (b)	
LESS	250W MH/PS	RMVG825-(a) (b)	
	250W MH-MSX	RMVG725-(a) (b)	
LESS	320W MH/PS	RMVG832-(a) (b)	
LESS	350W MH/PS	RMVG835-(a) (b)	RTVG835-(a) (b)
	400W MH	RMVG440-(a) (b)	
LESS	400W MH/PS	RMVG840-(a) (b)	RTVG840-(a) (b)
	400W MH-MSX	RMVG740-(a) (b)	
	150W HPS	RMVG515-(a) (b)	
	250W HPS	RMVG525-(a) (b)	
	400W HPS	RMVG540-(a) (b)	

Wattage Range:
175-400W (Magnetic)
350 & 400W (Electronic)



Lamp Included

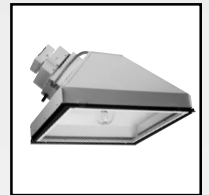
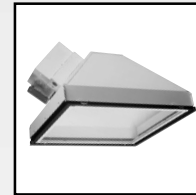
Electronic Housing with
F73 flat glass lens shown

LENS OPTIONS

Magnetic

Electronic

FAL/FPL/FGL - Clear Flat Glass Lens



(a) Voltage Suffix Key: Indicate voltage in space (a)

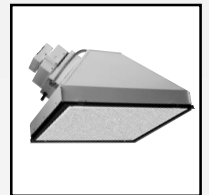
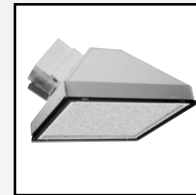
Description				
Magnetic Only			Magnetic Only	
1	2	3	4	M
120V	277V	208V	240V	Multi-tap

(b) Options: Indicate options in space (b) (Factory Installed)

Description	SUFFIX (b)
High-2-Low™ (CWA Magnetic Only)	H
Quartz Option (Electronic ETL Listed)	Q
Flat Prismatic Glass Lens (C73)	F73
Clear Flat Acrylic Lens	FAL
Clear Flat Polycarbonate Lens	FPL
Clear Flat Glass Lens	FGL

*Consult Customer Service or Your Local Sales Rep for control options for Electronic Ballast/See Pgs. 90-93

F73 - Flat Prismatic Glass Lens



"R" Series 2 X 2 Recessed Drop Lens



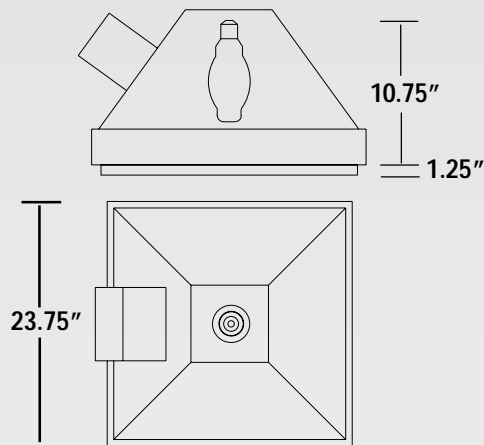
40°C Ambient Rated



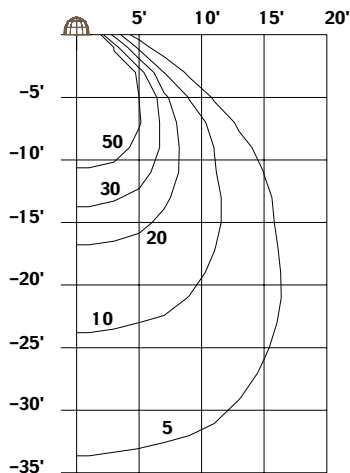
LISTED FOR RECESSED/DAMP LOCATIONS
CONSULT FACTORY FOR CUL AVAILABILITY

I.E.S. photometrics available by e-mail or on disk

Dimensions	Fixture Height	Fixture Width	Fixture Depth	Approx. Ship Wt.
RTV Series	10.75"	23.75" Sq.	1.25	35 LBS.
RMV Series	10.75"	23.75" Sq.	1.25	40 LBS.



Lamp: 350W Coated MH/PS
Lumens: 35,000



Acrylic/Polycarbonate Drop Lens

The HID Recessed 2 x 2 is typically used in low height areas that require high brightness and high quality illumination. Ideal for office, commercial or retail areas.

Housing

20-gauge steel housing with high-reflectance white powder coating.

Ballasts

A Potted magnetic CWA Quad or the Electronic dimmable 350-400W Pulse Start Ballast can be used.

Electronic Ballast

Fixture can be offered with fully dimmable electronic ballast which can be attached to various controls to operate 350W & 400W Pulse Start Metal Halide Lamp.

Lamps

175W, 250W & 400W MH and 175 - 400W Pulse Start MH, and 150W-400W HPS mogul based, vertical burn. Coated lamps are standard.

Optics

Drop polycarbonate or acrylic lens.

Thermal Protector

This fixture is fitted with a cutout to protect against overheating.

Mounting Options

Designed to fit a standard 2' x 2' grid using T type ceiling support bracket.

Warranty

The 2 x 2 Series R-Series Square Recessed Fixture sold by C.E.W. Lighting, Inc., unless otherwise specified, will be warranted to be free of defects in materials and workmanship under normal use and service for a period of five (5) years from date of shipment, 175W-400W and (3) years for the electronic ballast. If found to be defective by us, we will replace the non-performing components.



"R" Series 2 X 2 Recessed Drop Lens

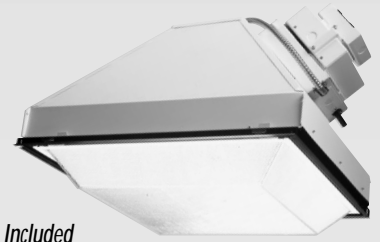
To build catalog numbers refer to inside front cover

Recessed Fixture Order Information

Catalog Numbers

Housing Size	Wattage Lamp	Magnetic Ballast Enclosed Rated	Electronic Ballast Enclosed Rated
24" Square			
Grid Mount -			
	175W MH	RMVG417-(a) (b)	
ESS	175W MH/PS	RMVG817-(a) (b)	
	175W MH-MSX	RMVG717-(a) (b)	
	250W MH	RMVG425-(a) (b)	
ESS	250W MH/PS	RMVG825-(a) (b)	
	250W MH-MSX	RMVG725-(a) (b)	
ESS	320W MH/PS	RMVG832-(a) (b)	
ESS	350W MH/PS	RMVG835-(a) (b)	RTVG835-(a) (b)
	400W MH	RMVG440-(a) (b)	
ESS	400W MH/PS	RMVG840-(a) (b)	RTVG840-(a) (b)
	400W MH-MSX	RMVG740-(a) (b)	
	150W HPS	RMVG515-(a) (b)	
	250W HPS	RMVG525-(a) (b)	
	400W HPS	RMVG540-(a) (b)	

Wattage Range:
175-400W (Magnetic)
350 & 400W (Electronic)



Lamp Included

LENS OPTIONS

Magnetic

Electronic

DAL/DPL Drop Lens



(a) Voltage Suffix Key: Indicate voltage in space (a)

Description				
Magnetic Only			Magnetic Only	
1	2	3	4	M
120V	277V	208V	240V	Multi-tap

(b) Options: Indicate options in space (b) (Factory Installed)

Description	SUFFIX
	(b)
High-2-Low™ (CWA Magnetic Only)	H
Quartz Option (Electronic ETL Listed)	Q
Drop Acrylic Lens	DAL
Drop Polycarbonate Lens	DPL

*Consult Customer Service or Your Local Sales Rep for control options for Electronic Ballast/See Pgs. 90-93