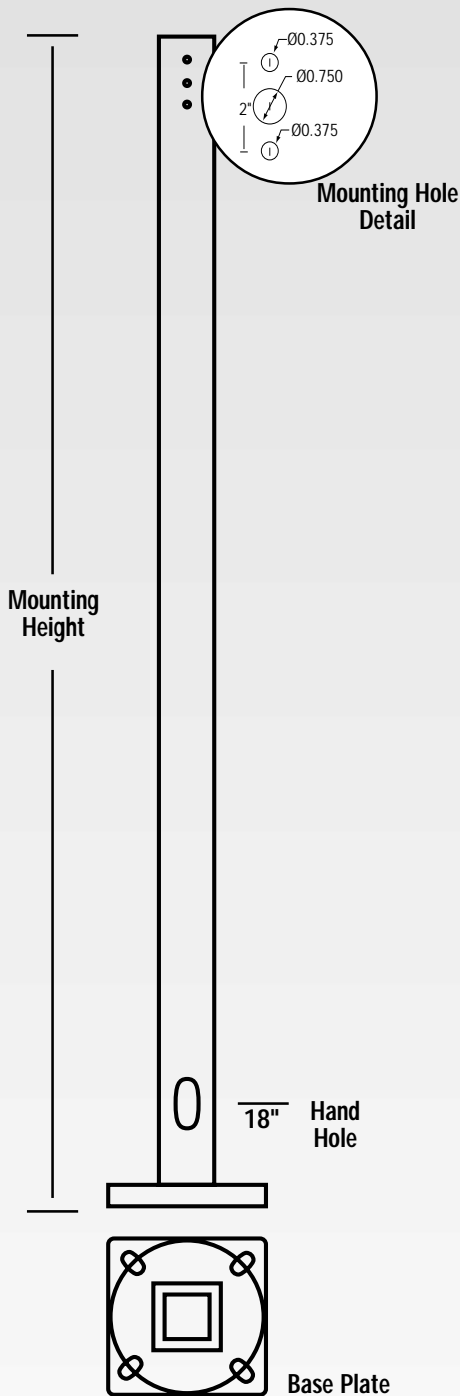


SSP Series Square Steel Poles



Shaft

Fabricated from high grade structural steel tube, the shaft conforms to ASTM specifications. It meets or exceeds minimum yield strength of 55,000 psi. Wall thickness is either 11 ga (.120 wall) or 7 ga (.180 wall) as specified (see ordering information). A reinforced hand hole is furnished with cover.

Base Plate

Fabricated from structural quality hot rolled steel, the base plate meets or exceeds minimum yield strength of 36,000 psi. Bolt holes are slotted to provide 1" flexibility on either side of bolt circle centerline.

Anchorage

Anchor bolts are made of hot rolled steel bar with minimum yield strength of 50,000 psi. Bolts have an "L" bend on one end and are threaded on the other end. Bolts are galvanized 12" from the top of the thread and are furnished with two nuts and two washers.

Base Cover

ABS plastic is supplied, the two piece cover conceals base.

Standard Finish

The SSP Series is furnished with an electrostatically applied red oxide primer over 2 stage cleaning process.

Painted Finish (optional)

A choice of galvanized or painted finish is available (check with factory for cost and color options). The painted finish is an electrostatically applied acrylic enamel over red oxide primer or powder coating, specify color.

Fixture Mounting

Two sides of the SSP Series poles are pre-drilled. Optional 2-3/8" tenon and other mounting brackets are also available. See next page for mounting codes and mounting hole detail.

Steel Poles 4" Square – 11 Gauge

Catalog Number	Pole Height	Pole EPA Ratings				Shipping Wt. (lbs)
		Base Wind Velocity (MPH) With 1.3 Wind Gust Factor			Max. Fix. Wt. (lbs) @ 80 MPH	
		80	90	100		
10' SSP-400Q100-(a)(b)		30.6	23.8	18.9	765	75
12' SSP-400Q120-(a)(b)		24.4	18.8	14.8	610	90
14' SSP-400Q140-(a)(b)		19.9	15.1	11.7	498	100
16' SSP-400Q160-(a)(b)		15.9	11.8	8.9	398	115
18' SSP-400Q180-(a)(b)		12.6	9.2	6.7	315	125
20' SSP-400Q200-(a)(b)		9.6	6.7	4.5	240	140
25' SSP-400Q250-(a)(b)		4.8	2.6	1	150	170

Steel Poles 4" Square – 7 Gauge

25' SSP-400W250-(a)(b)	10.8	7.7	5.4	270	245
------------------------	------	-----	-----	-----	-----

Steel Poles 5" Square – 11 Gauge

20' SSP-500Q200-(a)(b)	17.7	12.7	9.4	443	185
25' SSP-500Q250-(a)(b)	9.8	6.3	3.7	245	225
30' SSP-500Q300-(a)(b)	4.7	2		150	265

Steel Poles 5" Square – 7 Gauge

20' SSP-500W200-(a)(b)	28.1	21.4	16.2	703	265
25' SSP-500W250-(a)(b)	18.5	13.3	9.5	463	360
30' SSP-500W300-(a)(b)	10.7	6.7	3.9	267	380
35' SSP-500W350-(a)(b)	5.9	2.5		150	740

Steel Poles 6" Square – 7 Gauge

30' SSP-600W300-(a)(b)	19	13.2	9	475	520
35' SSP-600W350-(a)(b)	12.4	7.6	4.2	310	540
40' SSP-600W400-(a)(b)	7.2	3		180	605

Other sizes available upon request.

(a) Pole Finish: Indicate finish in space (a)

Description	Prime	Bronze	Black	Galvanized
	P	BZ	BK	GLV

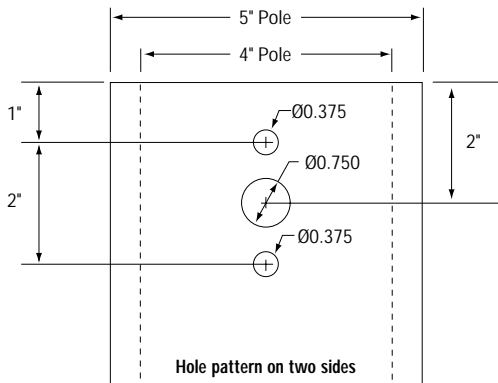
b) Mounting Code: See detail next page.

**Above information is only a guide.
Check manufacturer's specifications for correct data.**

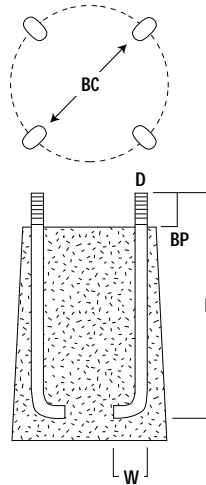
Mounting Code

b) Mounting Code: Indicate mounting in space (b)		SUFFIX
Description	(b)	
2-3/8" Tenon (SPB14 or SPB15 Can be used when tenon unavailable)	2	
One Fixture (Direct Mount)	DM10	
Two Fixtures 90°(Direct Mount)	DM290	
Two Fixtures 180°(Direct Mount)	DM2180	
Three Fixtures 120°(Use RTA3120 Adaptor)	SPB14/RTA3120	
Three Fixtures 90°(Direct Mount)	DM390	
Four Fixtures 90°(Direct Mount)	DM490	

Mounting Hole Detail



BC = Bolt Circle Diameter
 BP = Bolt Projection (6" of thread)
 D = Anchor Bolt Diameter
 L = Anchor Bolt Length
 W = Anchor Bolt Width



**Above information is only a guide.
 Check manufacturer's specifications for correct
 bolt patterns and anchor bolts.**

SSP Series Square Steel Pole Mountings

